

The JBL logo is displayed in white, bold, sans-serif capital letters on a solid black rectangular background in the top left corner.

**JBL**

The word 'CONTROL' is written vertically in large, white, bold, sans-serif capital letters, running down the right side of the cover.

**CONTROL**

The text 'Owner's Manual' is centered within a horizontal, rounded rectangular grey box.

**Owner's Manual**

The text 'Control Series Powered Subwoofers' is centered within a rounded rectangular grey box.

**Control Series  
Powered Subwoofers**

# read first!

## Important Safety Precautions!

### CAUTION

#### RISK OF ELECTRIC SHOCK DO NOT OPEN

CAUTION: To prevent electric shock, do not remove the grounding plug on the power cord, or use any plug or extension cord that does not have a grounding plug provided.

Make certain that the AC outlet is properly grounded. Do not use an adapter plug with this product.



The lightning flash with arrowhead symbol, within an equilateral triangle, is intended to alert the user to the presence of uninsulated "dangerous voltage" within the product's enclosure that may be of sufficient magnitude to constitute a risk of electric shock to persons.



The exclamation point within an equilateral triangle is intended to alert the user to the presence of important operating and maintenance (servicing) instructions in the literature accompanying the appliance.

1. **Read Instructions.** All the safety and operating instructions should be read before the product is operated.

2. **Retain Instructions.** The safety and operating instructions should be retained for future reference.

3. **Heed Warnings.** All warnings on the product and in the operating instructions should be adhered to.

4. **Follow Instructions.** All operating and use instructions should be followed.

5. **Water and Moisture.** This product should not be used near water – for example, near a bathtub, washbowl, kitchen sink, laundry tub, in a wet basement, or near a swimming pool, and the like.

6. **Accessories.** Do not place this product on an unstable cart, stand, tripod, bracket, or table. The product may fall, causing serious injury to a child or adult, and serious damage to the product. Use only with a cart, stand, tripod, bracket, or table recommended by the manufacturer, or sold with the product. Any mounting of the product should follow the manufacturer's instructions, and should use a mounting accessory recommended by the manufacturer.

7. **Wall or Ceiling Mounting.** The product should be mounted on a wall or ceiling only when and as recommended by the manufacturer.

8. **Ventilation.** Slots and openings in the cabinet are provided for ventilation and to ensure reliable operation of the product and to protect it from overheating, and these openings must not be blocked or covered. The openings should never be blocked by placing the product on a bed, sofa, rug, or other similar sur-

face. This product should not be placed in a built-in installation such as a bookcase or rack unless proper ventilation is provided or the manufacturer's instructions have been adhered to.

9. **Heat.** This product should be situated away from heat sources such as radiators, heat registers, stoves, or other products that produce heat. If placed near and amplifier, check with the manufacturer for applicability.

10. **Power Sources.** This product should be operated only from the type of power source indicated on the marking label. If you are not sure of the type of power supply to your home, consult your product dealer or local power company. For products intended to operate from battery power, or other sources, refer to the operating instructions.

11. **Grounding or Polarization.** This product may be equipped with a polarized alternating-current line plug (a plug having one blade wider than the other). This plug will fit into the power outlet only one way. This is a safety feature. If you are unable to insert the plug fully into the outlet, try reversing the plug. If the plug should still fail to fit, contact your electrician to replace your obsolete outlet. Do not defeat the safety purpose of the polarized plug.

12. **Power-Cord Protection.** Power-supply cords should be routed so that they are not likely to be walked on or pinched by items placed upon or against them, paying particular attention to cords at plugs, convenience receptacles, and the point where they exit from the product.

13. **Cleaning.** Unplug this product from the wall outlet before cleaning. Do not use liquid cleaners or aerosol cleaners. Use a damp cloth for cleaning.

14. **Nonuse Periods.** The power cord of the product should be unplugged from the outlet when left unused for long periods of time.

15. **Lightning.** For added protection for this product during a lightning storm, or when it is left unattended and unused for long periods of time, unplug it from the wall outlet and disconnect the antenna or cable system. This will prevent damage to the product due to lightning and power-line surges.

16. **Overloading.** Do not overload wall outlets, extension cords, or integral convenience receptacles as

this can result in a risk of fire or electric shock.

17. **Object and Liquid Entry.** Never push objects of any kind into this product through openings as they may touch dangerous voltage points or short-out parts that could result in a fire or electric shock. Never spill liquid of any kind on the product.

18. **Damage Requiring Service.** Unplug this product from the wall outlet and refer servicing to qualified service personnel under the following conditions:

a. The power-supply cord or the plug has been damaged; or  
b. Objects have fallen, or liquid has been spilled into the product; or  
c. The product has been exposed to rain or water; or

d. If the product does not operate normally by following the operating instructions. Adjust only those controls that are covered by the operating instructions as an improper adjustment of other controls may result in damage and will often require extensive work by a qualified technician to restore the product to its normal operation; or

e. If the product has been dropped, or the enclosure damaged; or  
f. The product does not appear to operate normally or exhibits a marked change in performance.

19. **Attachments.** Do not use attachments not recommended by the product manufacturer as they may cause hazards.

20. **Replacement Parts.** When replacement parts are required, be sure the service technician has used replacement parts specified by the manufacturer or that have the same characteristics as the original part. Unauthorized substitutions may result in fire, electric shock or other hazards.

21. **Safety Check.** Upon completion of any service or repairs to this product, ask the service technician to perform safety checks to determine that the product is in proper operating condition.

22. **Servicing.** Do not attempt to service this product yourself as opening or removing covers may expose you to dangerous voltage or other hazards. Refer all servicing to qualified service personnel.

Part No. JBLULA 6/96

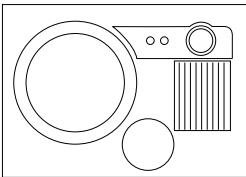
**thank you** for choosing JBL. For over 50 years, JBL has been involved in every aspect of musical and film recording and reproduction, from live performances to monitoring the recordings you play in your home, car, or office.

We're confident that the **JBL loudspeakers** you have chosen will provide every note of enjoyment that you expected – and that when you think about additional audio equipment for your home, car, or office you will once again choose JBL.

Please take a moment to complete the enclosed profile card. It enables us to keep you posted on our latest advancements, and helps us to better understand our customers and build products that meet your needs and expectations.

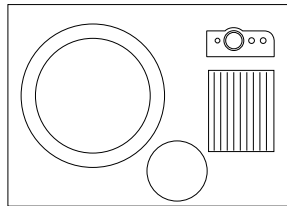
JBL Consumer Products

## included



sub6

OR



sub10



Owner's Manual

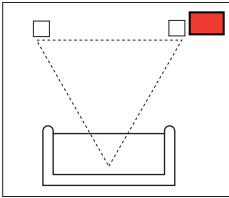


Survey card

## features

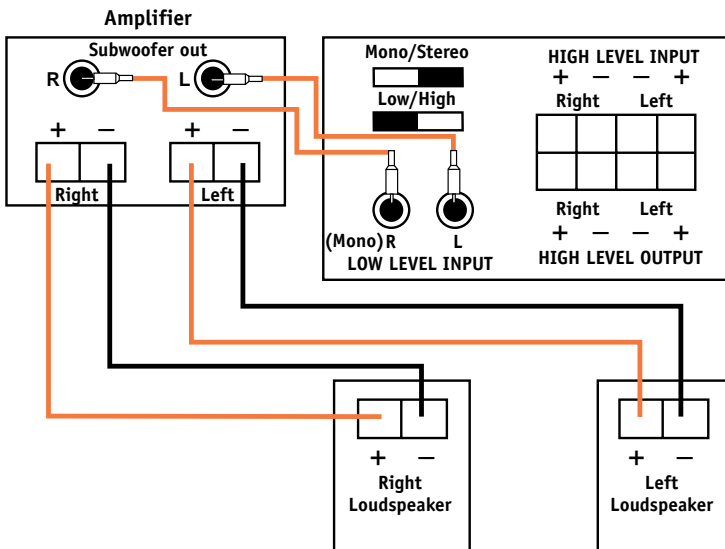
- Rugged molded plastic front baffle
- Adjustable crossover point
- Adjustable volume control
- Speaker and line level inputs
- Auto turn-on/turn-off

# one. Speaker Placement

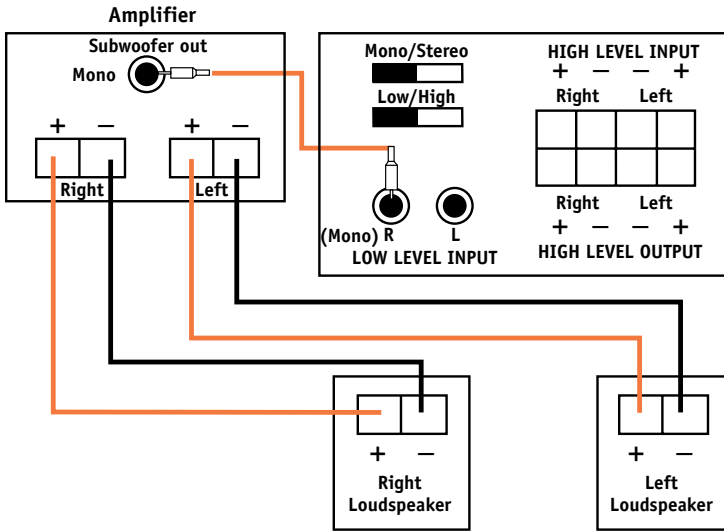


# two. Hookup

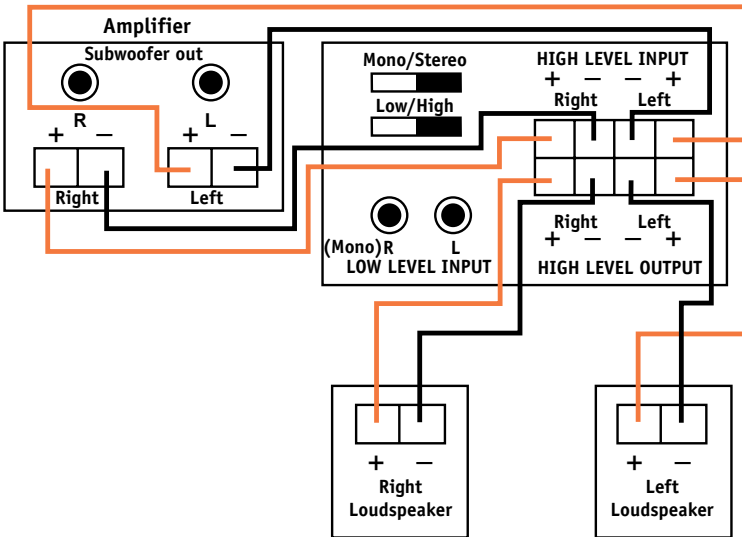
Line level – Stereo



## Line level – Mono



## Speaker level – Stereo



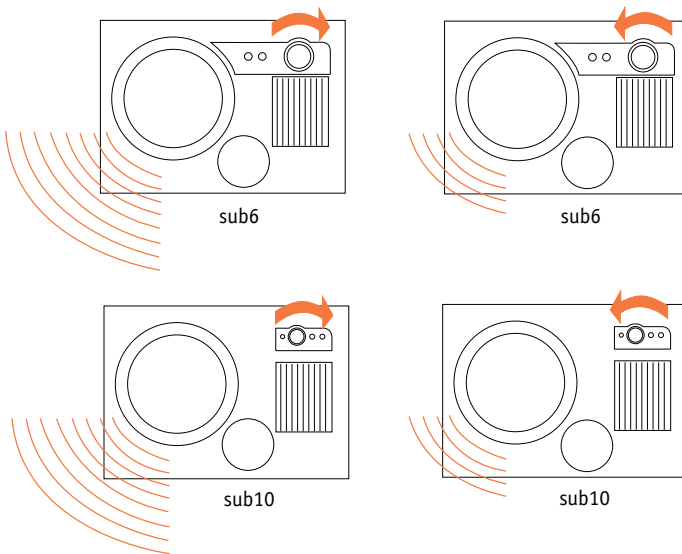
# three. Operation

## Power

The Control Series Subwoofers Incorporate an Auto Turn-On/Off Circuit.

Mode	Procedure	LED Status
Off	Turn volume knob fully counterclockwise.	Red
On	If the subwoofer is already off, turn volume knob clockwise.	Green
Auto	Simply turn off receiver/amplifier. The subwoofer will turn off after approximately five minutes. The subwoofer will turn on when your receiver/amplifier begins playing again.	Red

## Volume



## Crossover Frequency

The crossover frequency knob determines the highest frequency your subwoofer will reproduce. It allows a seamless transition from the subwoofer to the satellite speakers. Experiment with

this adjustment to find the crossover frequency that sounds best with your speakers. When using the speaker level connections, the crossover adjustment will also limit the low frequencies

being sent to your satellite speakers. This means that your satellites won't have to try and reproduce the information the subwoofer is playing.

## Phase

The phase switch is used to adjust the relative polarity of the subwoofer. Listen to your Control subwoofer and main speakers with the switch in

the "+" position, then listen to the same material with the switch set to "-". Decide which sounds better and leave the switch in this posi-

tion. Repeat this procedure if you change the location of the subwoofer.

## Troubleshooting

**If you used the speaker level inputs and there is no sound from any of the speakers, check the following:**

- Receiver/amplifier is on and a source is playing.
- Powered subwoofer is plugged in and is either in the “On” or “Auto” position.
- Make sure the subwoofer is set to “High” input and “Stereo” on the rear panel.
- Check all wires and connections between receiver/amplifier and speakers. Make sure all wires are connected. Make sure none of the speaker wires are frayed, cut, or punctured.
- Review proper operation of your receiver/amplifier.

**If there is low bass output, check the following:**

- Make sure the connections to the left and right “Speaker Inputs” have the correct polarity (+ and -).
- Make sure that the subwoofer is plugged into an active electrical outlet.
- Powered subwoofer is plugged in and is either in the “On” or “Auto” position.
- Adjust the crossover point.
- Change the setting on the phase switch.

**If you used the line level inputs and there is no sound from any of the speakers, check the following:**


- Receiver/amplifier is on and a source is playing.
- Powered subwoofer is plugged in and is either in the “On” or “Auto” position.
- Make sure the subwoofer is set to “Low” on the rear panel.
- Check all wires and connections between receiver/amplifier and speakers. Make sure all wires are connected. Make sure none of the speaker wires are frayed, cut, or punctured.
- Review proper operation of your receiver/amplifier.

## Specifications

	sub6	sub10
<b>Amplifier Power (RMS)</b>	60 watts	100 watts
<b>Woofers size</b>	6-1/2"	10"
<b>Inputs</b>	Line and speaker level	Line and speaker level
<b>Outputs</b>	High pass speaker level	High pass speaker level
<b>Crossover Frequency</b> (Continuously variable)	90Hz – 200Hz	90Hz – 200Hz
<b>Frequency Response</b> *Determined by crossover setting	40Hz – (90 – 200Hz)*	38Hz – (90 – 200Hz)*
<b>Dimensions (HxWxD)</b>	17 x 12-3/4 x 11-1/8" 432 x 324 x 282mm	24 x 17-3/4 x 13-1/2" 608 x 450 x 342mm
<b>Weight</b>	26 lbs/11.8 kg	48 lbs/21.8 kg



JBL Consumer Products  
80 Crossways Park West, Woodbury, NY 11797  
8500 Balboa Boulevard, Northridge, CA 91329  
1-800-336-4JBL (4525) (USA only)

© 1996 JBL, Incorporated. JBL is a registered trademark of JBL, Incorporated.  
Printed in USA 7/96  Part No. CONSUB6/100M

 A Harman International Company