

G08 24-bit Upsampling Compact Disc Player



COMPACT
disc
DIGITAL AUDIO

BOOTHROYD STUART
MERIDIAN

Upsampling for dramatic increase in quality

CD/DVD-ROM drive allows over ten times improvement in error-correction

24-bit DAC operates at 176.4kHz for maximum performance

Balanced & unbalanced analogue outs for maximum quality & flexibility

Multiple buffers for minimum jitter and superior stereo imaging

S/PDIF coax and TOSLink optical digital outs for high-quality replay

Evolved from the award-winning 588 & 800 players

Meridian's G Series line of high performance digital & analogue consumer audio components feature a stylish cabinet design in traditional black or a sleek silver finish.

Designed to be either free-standing or rack-mounted, G Series components build on their predecessors, the multi-award-winning 500 and our flagship 800 Series, and include entirely new circuitry developed specifically for the G Series.

Multi-layer boards reduce system noise and improve performance. In products which include video capabilities, broadcast-quality, wide-bandwidth video components are employed for maximum image integrity.

G Series units are easy to use. Where appropriate, a knob is included to control volume. The positive-action front-panel keys are software-defined: their legends are presented in the vacuum fluorescent display and change intelligently according to context.

Full installation configuration of many G Series components is achieved by running a special setup program on a Windows computer, connected to the G Series unit via a serial link, or direct from the front panel.

G Series products also include serial ports for remote operation and configuration, along with infra-red sensor input and trigger capabilities, plus Meridian communications ports. A comprehensive back-lit learning/programmable remote is included with products other than amplifiers.

The G08 24-bit Upsampling CD Player takes Compact Disc playback to an entirely new level. With a heritage that includes the multiple award winning 588 and 800 – and two dozen optical disc players from 1984 to the present day – the G08 is CD-optimised, and able to play virtually any CD, from conventional pressings to CD-R, CD-RW and discs of MP3 files (64–256kbps). It also plays the CD side of DualDisc DVD/CD hybrids, and the CD layer of an SACD disc.

At the heart of the G08 are fully-integrated electronics and a computer-style CD/DVD-ROM drive. Although it normally runs at standard CD speed, the drive is capable of spinning the disc much faster, allowing multiple high-speed re-reads to ensure accurate recovery of data from even the most difficult disc. This feature alone provides ten times the error correction of a conventional CD player.

Once the digital data stream has been recovered from the disc, powerful on-board digital signal processing (DSP) with a capability of an impressive 150 MIPS (million instructions per second) up-samples the digital information from the 44.1 kHz, 16-bit signal of conventional CD to 24 bits, and to a sample rate of 176.4 kHz for digital to analogue conversion to drive the analogue outputs, and 88.2 kHz for the digital outputs.

Upsampling enables filtering to take place far beyond the range of human hearing, as well as offering other, audible benefits, right across the audio band, for ultimate transparency from a CD source.

G08 24-bit Upsampling Compact Disc Player

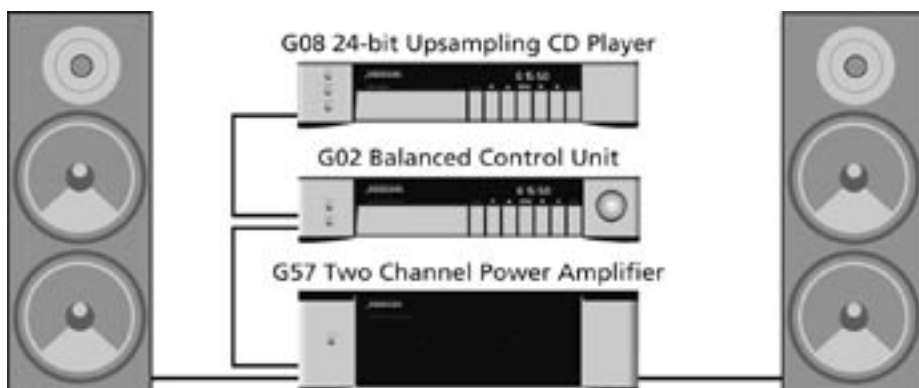


G08 outline rear panel drawing (actual unit may differ slightly)

Outline Specifications

THD:	Better than -96dBFS
Noise:	Better than -96dBFS
Mechanism:	Triple-beam laser, multi-speed CDDVD-ROM transport
Converters:	192kHz-capable, 24-bit, Delta Sigma converters operating at 4 x CD sample rate (176.4kHz)
Outputs:	Analogue: 1 unbalanced on phono, 1 balanced on XLR-3M: 2.3V rms fixed, Class A, 47Ω impedance Digital: S/PDIF (IEC60958), coax and Toslink optical, operating at up to 2 x CD sample rate (88.2kHz), 24-bit
Formats:	CD Audio (CD-DA), CD-R, CD-RW, DTS-CD
Comms:	Two 5-pin 240° DIN sockets, BNC socket Meridian Comms, and RS232 full remote/configuration interface

Construction:	Meridian black or silver finish in metal & glass
Dimensions:	Width: 440mm (17.32in); Depth: 350mm (13.78in) plus connectors; Height: 90mm (3.54in)
Rack Mounting:	Kit available from Meridian authorized dealers
Weight:	8.5 kg (18.7 lbs)
Controls:	Front-panel soft keys include Play, Stop, Pause, Previous, Next, etc. Buttons for On/Off, Open, Display. Full remote control of all features via MSR+. Meridian Comms (2 x DIN 240° and BNC), IR in and RS232
Display:	Multi-character dot-matrix Vacuum Fluorescent Display
Power:	Universal power supply for 100-240Vac, 50/60Hz, 25W



The G08 employs a triple buffering system to minimise jitter, and therefore maximise HF transparency and stereo image precision and stability. This, and the digital electronics as a whole, are driven by a new design of high-stability clocking system which further reduces jitter and ensures that the highest level of detail is recovered from a disc. All digital data is accurately re-clocked. Multiple power supplies ensure that digital and analogue circuitry are kept apart and can provide the required power when called upon to do so.

The G08 player includes both balanced (on XLR connectors) and unbalanced (on phono connectors) 2-channel analogue outputs.

S/PDIF (Sony/Philips Digital Interface, IEC 60958) digital outputs are also provided and both optical (Toslink/EIAJ) and coax digital formats are included. In addition, the optical digital outputs can support surround-encoded bitstreams such as those derived from DTS-encoded CDs, which can be replayed via an external decoder.

The G08 Upsampling CD player is an ideal complement to both analogue and digital systems. A typical analogue system is shown above, including a G02 Balanced Control Unit and G57 high-power 2-channel amplifier, driving a pair of analogue passive speakers. The coaxial digital outputs will drive Meridian DSP loudspeakers directly to form a superb quality stereo CD replay system.

Information contained in this data sheet is correct as far as possible, but Meridian Audio accepts no liability for errors or omissions. Trademarks are the property of their respective owners. Meridian Audio reserves the right to amend product specifications at any time.

Further technical details, images, product reviews and company history are available from Meridian Audio or from our web site, www.meridian-audio.com

©Text & images 2003 Meridian Audio Ltd.

BOOTHROYD STUART
MERIDIAN

Meridian Audio Limited
Stonehill, Stukeley Meadows
Huntingdon, Cambridge PE29 6EX
UK
Tel +44 (0) 1480 445678
Fax +44 (0) 1480 445686

Meridian America Inc
3800 Camp Creek Parkway
Building 2400 Suite 122
Atlanta GA 30331 USA
Tel +1 (404) 344 7111
Fax +1 (404) 346 7111

Email: info@meridian-audio.com
Web: www.meridian-audio.com