

OM-Series


OMNIPOLAR®



Mirage®

The Sound of the 21st Century

owners manual



OM-6
OM-8
OM-10
OM-12
OM-14
OM-C2
OM-C3
OM-R2

IMPORTANT SAFETY INSTRUCTIONS

Read Instructions

All safety and operating instructions should be read before the product is operated.

Retain Instructions

The safety and operating instructions should be retained for future reference.

Heed Warnings

All warnings on the product and in the operating instructions should be adhered to.

Follow Instructions

All operating and use instructions should be followed.

Cleaning

Unplug this product from the wall outlet before cleaning. Do not use liquid cleaners or aerosol cleaners. Use a damp cloth for cleaning.

Attachments

Do not use attachments not recommended by the product manufacturer as they may cause hazards.

Water and Moisture

Do not use this product near water— for example near a bath tub, wash bowl, kitchen sink, or laundry tub; in a wet basement; or near a swimming pool.

Ventilation

Slots and openings in the cabinet are provided for ventilation and to ensure reliable operation of the product and to protect it from overheating, and these openings must not be blocked or covered. They should also never be blocked by placing the product on a bed, sofa, rug, or other similar surface. This product should not be placed in a built-in installation such as a bookcase or rack unless proper ventilation is provided or the manufacturer's instructions have been adhered to.

Power Sources

This product should be operated only from the type of power source indicated on the marking label. If you are not sure of the type of power supply to your home, consult your product dealer or local power company. For products intended to operate from battery power, or other sources, please refer to the operating instructions.

Grounding or Polarization

This product may be equipped with a polarized alternating-current line plug (a plug having one blade wider than the other). This plug will fit into the power outlet only one way. This is a safety feature. If you are unable to insert the plug fully into the outlet, try reversing the plug. If the plug should still fail to fit, contact your electrician to replace your obsolete outlet.

DO NOT defeat the safety purpose of the polarized plug.

Power Cord Protection

Power supply cords should be routed so that they are not likely to be walked on or pinched by the items placed upon or against them, paying particular attention to cords at plugs, convenience receptacles, and the point where they exit from the product.

Overloading

Do not overload wall outlets or extension cords, as this can result in a risk of fire or electric shock.

Object and Liquid Entry

Never push objects of any kind in this product through openings as they may touch dangerous voltage points or short out parts that could result in a fire or electric shock. Never spill liquid of any kind on the product.

Servicing

Do not attempt to service this product yourself as opening or removing covers may expose you to dangerous voltage or other hazards.

Heat

This product should be situated away from heat sources such as radiators, heat registers, stoves, or other appliances (including amplifiers) that produce heat.

Non-use Periods

The power cord of the product should be unplugged from the outlet when left unused for a long period of time.

Damage Requiring Service

This product should be serviced by qualified service personnel when:

- (A) The power supply cord or the plug has been damaged, or
- (B) Objects have fallen, or liquid has been spilled into the appliance, or
- (C) The product has been exposed to rain, or
- (D) The appliance does not operate normally or exhibits a marked change in sonic performance, or
- (E) The product has been dropped, or the enclosure has been damaged.

"MIRAGE", the "MIRAGE" logo, "The Original Bipolar Loudspeaker", "Omnipolar" and "API Accessories" are trademarks of Audio Products International Corp. "Dolby", "Dolby Pro-Logic" and "Dolby Digital Surround" are trademarks of Dolby Laboratories Licensing. DTS is a Trademark of Digital Theater Systems Inc.

WELCOME TO THE WORLD OF MIRAGE LOUDSPEAKERS

We are sure you will enjoy this superb product. The following advice is offered to facilitate proper installation of your **MIRAGE** speakers in your home. Extensive research along with great care at every design stage has enabled **MIRAGE** to produce speakers with extraordinary performance characteristics: a performance level that is equal, or superior to other loudspeakers costing many times their price. The finest components and materials, made with sophisticated manufacturing and quality control ensure that you will enjoy this exceptional performance for many years.

IMPORTANT: Please retain the carton and packing material for this **MIRAGE** product to protect it in the event it ever has to be shipped to a service center for repair. Product received damaged by a service center that has been shipped by the end user in other than the original packaging, will be repaired, refurbished and properly packaged for return shipment at the end user's expense.

POSITIONING & CONNECTING YOUR MIRAGE OM-SERIES SPEAKERS

For best performance, please follow the guidelines outlined below:

Left and Right Main Speakers

For best stereo separation, we recommend the speaker pair be placed 6 to 10 feet (2-3 m) apart and a minimum of 15-inches (40cm) from the rear wall. The distance from the loudspeakers to the listener should be about 1 to 1.5 times the distance separating the speakers. **See Figures 1, 2, 3 or 4 for connection and Figures 6 or 7 for placement.**

Center Channel Speaker

The purpose of the center channel speaker is to ensure that the central audio image, including actors' voices, appears to emanate from the screen. For best results the center channel speaker should be located directly above, or below the TV screen. **See Figure 1 for connection and Figure 7 for placement.**

NOTE: The Omnipolar® OM-C2 will perform well installed in a wall unit or built into a custom installation, provided there is a minimum of 10-12-inches (25-30cm) of free space between the speaker and the enclosure back and sides. For optimum performance, we recommend that this product be placed where it's sound radiation pattern will benefit from walls, or other reflective boundary surfaces.

Surround/Effects Speakers

Surround effects speakers should be positioned adjacent to and slightly behind the primary listening area, on the rear wall or in the ceiling to provide the sense of spaciousness and ambiance for either Dolby Pro Logic™ or the new Dolby Digital™ Surround source formats. **See Figure 1 for connection and Figure 7 for placement.**

MIRAGE Powered Subwoofers

Low frequencies are essentially non-directional, so your subwoofer may be placed anywhere in the listening room, without affecting the stereo image of your main speakers. However, placement too near the corner of the room may result in "boomy" bass performance. Positioning the subwoofer further from the corner will normally result in more detailed and accurate performance. For larger rooms, two or more subwoofers may be used. **Refer to the connection instructions in the Owner's Manual of your Subwoofer.**

Connection Methods for Model OM-6

1. For ease of hook-up, use the Speaker Level Connection as you would a non-powered speaker. Be sure to set the Input Selector Switch to the center (Speaker Level) position. **See Figure 5 for connection and Figures 6 or 7 for placement.**

2. If your system has Left/Right Pre-amp Outputs and Left/Right Main Amplifier Inputs, we recommend the Low Level Connection for best sonic performance. Use RCA interconnect cables with a "Y" connector. **See Figure 5 for connection and Figures 6 or 7 for placement.** Be sure to set the Input Selector Switch to the upper (180°) or lower (0°) position.
3. We recommend that you **DO NOT USE** the Subwoofer Output(s) of an A/V Receiver or Processor to feed the Low Level Input of the OM-6. This method deteriorates performance by duplicating crossover slopes.

QUICK SET UP GUIDE FOR OM-6 & OM-8

1. If so featured, ensure that your receiver or AV processor is set for Large main (left & right) speakers.
2. Turn the Subwoofer Output on your receiver or AV processor Off. For 5.1-channel AV Processors, switch the LFE Channel Off to direct Low Frequency Effects to the front left and right speakers.
3. Ensure that all binding posts and terminal connections are firmly hand tightened.
4. The rotary Level Control adjusts the bass output level of the subwoofer section of the OM-6 or OM-8. If Using the Speaker Level Connection Method: The 12 o'clock position produces balanced output between low, mid and high frequencies. For more bass output, rotate clockwise. If Using the Low Level Connection Method: Since each receiver/processor produces different output levels, experiment to find the most suitable selection for your listening needs.
5. In either Speaker Level or Low Level Connection, the Low Frequency (LF) EQ Control adjusts the extreme low frequency characteristics. It is continuously variable from -3dB through 0 to +3dB to precisely match the subwoofer section of these powered models with the acoustics of your listening room. If bass is too boomy and lacks detail, adjust this control counter-clockwise until desired performance is achieved.

CAUTION: To avoid serious amplifier damage if using a bridged output amplifier, **DO NOT USE** the Low Level Connection Method.

NOTE: In Home Theater Applications, the Red LED, which is located on the lower grille panel of the OM-6 & OM-8 may occasionally switch off during extended periods of dialogue, when low frequency information is absent. The LED will switch back to Red (On) when the internal amplifier senses the return of low frequency signals.

CABINET CARE

Black high gloss finished models should be polished periodically to preserve the luster. A soft, dirt-free cloth and high quality furniture polish shall be used for this purpose. Wood grain, and satin, (white or black) finished models should be gently wiped clean from time to time with a damp cloth to remove any dust or stains. To remove dust from the grille cloth, use the brush attachment on your vacuum cleaner or a slightly dampened sponge.

WARRANTY OUTSIDE OF THE UNITED STATES AND CANADA

Outside of North America, the warranty may be changed to comply with local regulations. Ask your local **MIRAGE** dealer for details of the LIMITED WARRANTY applicable in your country.

FIGURE 1

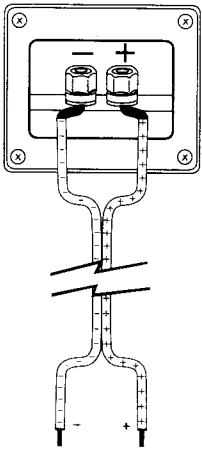


FIGURE 2

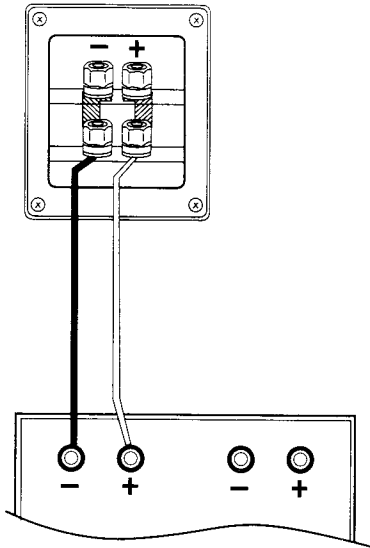


FIGURE 3

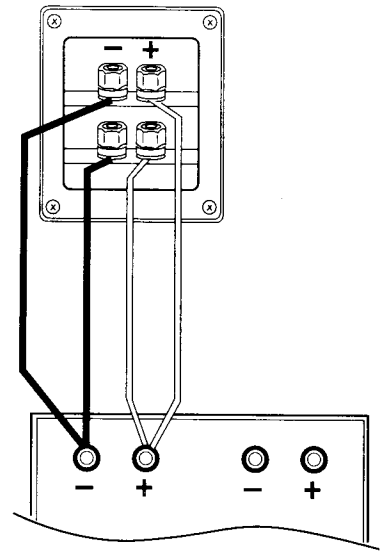


FIGURE 4

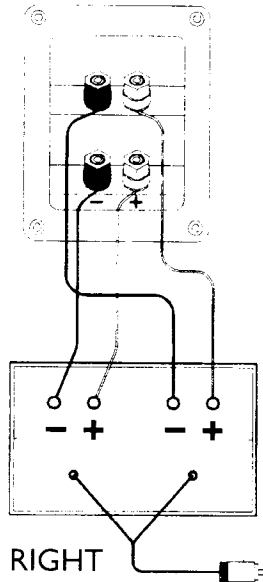
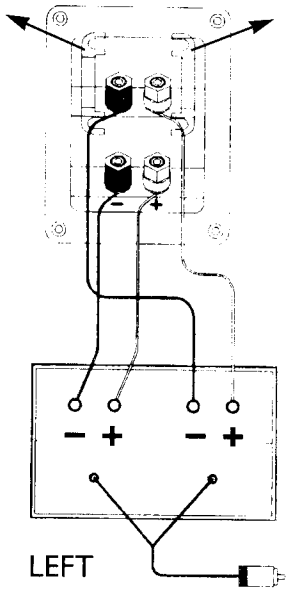


FIGURE 5

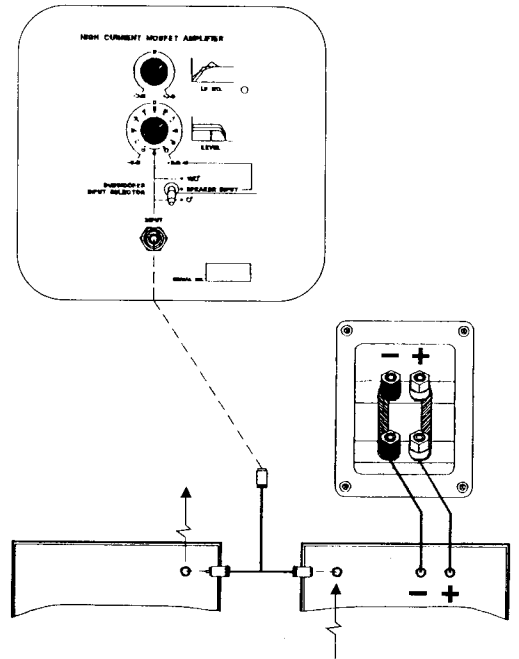


FIGURE 6

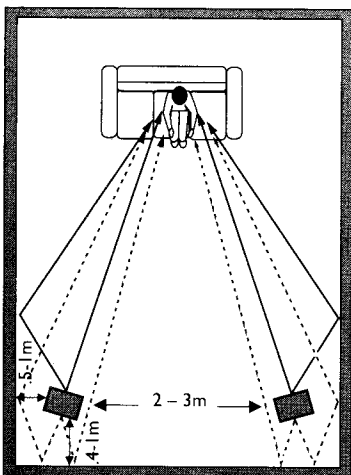


FIGURE 7

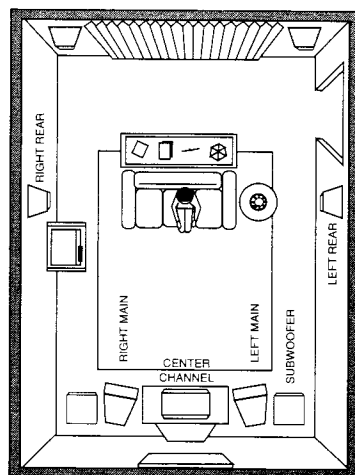
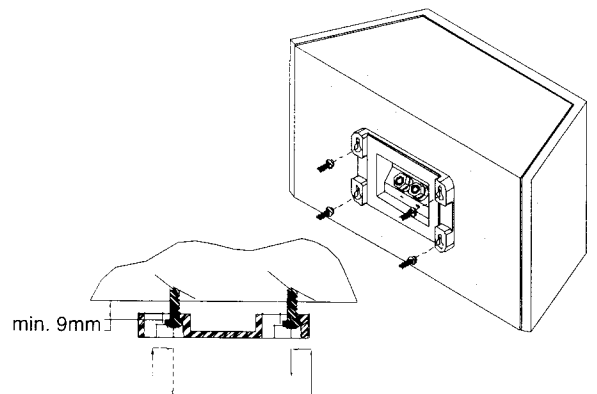


FIGURE 8



WARRANTY

Limited Warranty Policy in the United States and Canada

MIRAGE LOUDSPEAKERS warrants this product to the retail purchaser against any failure resulting from original manufacturing defects in workmanship or materials. The warranty is in effect for a period of: Speaker Section-five (5) years, Amplifier Section-one (1) year from date of purchase from an authorized **MIRAGE** dealer and is valid only if the original dated bill of sale is presented when service is required.

The warranty does not cover damage caused during shipment, by accident, misuse, abuse, neglect, unauthorized product modification, failure to follow the instructions outlined in the owner's manual, failure to perform routine maintenance, damage resulting from unauthorized repairs or claims based upon misrepresentations of the warranty by the seller.

Warranty Service

If you require service for your **MIRAGE** loudspeaker(s) at any time during the warranty period, please contact:

- 1) the dealer from whom you purchased the product(s),
- 2) **MIRAGE NATIONAL SERVICE**, 203 Eggert Road, Buffalo, N.Y. 14215 Tel: 716-896-9801 or
- 3) **MIRAGE LOUDSPEAKERS**, a division of Audio Products International Corp., 3641 McNicoll Avenue, Scarborough, Ontario, Canada, M1X 1G5, Tel: 416-321-1800.

You will be responsible for transporting the speakers in adequate packaging to protect them from damage in transit and for the shipping costs to an authorized **MIRAGE** service center or to **MIRAGE LOUDSPEAKERS**. If the product is returned for repair to **MIRAGE LOUDSPEAKERS** in Scarborough or Buffalo, the costs of the return shipment to you will be paid by **MIRAGE**, provided the repairs concerned fall within the Limited Warranty. The **MIRAGE** Warranty is limited to repair or replacement of **MIRAGE** products. It does not cover any incidental or consequential damage of any kind. If the provisions in any advertisement, packing cartons or literature differ from those specified in this warranty, the terms of the Limited Warranty prevail.