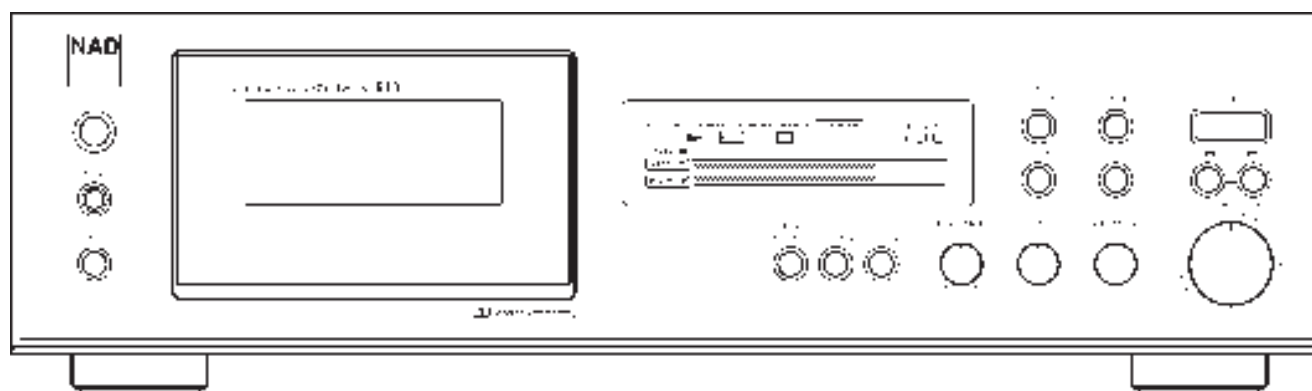


NAD 613



- GB • OWNER'S MANUAL
- F • MANUEL D'INSTALLATION
- D • BEDIENUNGSANLEITUNG
- E • MANUAL DEL USUARIO
- I • MANUALE DELLE ISTRUZIONI
- S • BRUKSANVISNING
- P • MANUAL DO PROPRIETÁRIO

WARNING: TO PREVENT FIRE OR ELECTRIC SHOCK, DO NOT EXPOSE THIS APPLIANCE TO RAIN OR MOISTURE

Note to CATV system installer: This reminder is provided to call the CATV installer's attention to Section 820-40 of the NEC , which provides guidelines for proper grounding and, in particular, specifies that the cable should be connected to the grounding system of the building, as close to the point of cable entry as practical.

THIS DIGITAL APPARATUS DOES NOT EXCEED THE CLASS B LIMITS FOR RADIO NOISE EMISSIONS FROM DIGITAL APPARATUS AS SET OUT IN THE RADIO INTERFERENCE REGULATIONS OF THE CANADIAN DEPARTMENT OF COMMUNICATIONS.

LE PRESENT APPAREIL NUMVERIQUE N'EMET PAS DE BRUITS RADIOELECTRIQUES DEPASSANT LES LIMITES APPLICABLES AUX APPAREILS NUMERIQUES DE LA CLASSE B PRESCRITES DANS LE REGLEMENT SUR LE BROUILLAGE RADIO ELECTRIQUE EDICTE PAR LE MINISTERE DES COMMUNICATIONS DU CANADA.

ATTENTION FOR EUROPEAN MODEL:

THIS APPARATUS COMPLIES WITH THE REQUIREMENTS OF EC DIRECTIVE 87/308/EEC.

WARNING : BEFORE PLUGGING IN THE UNIT FOR THE FIRST TIME, READ THE FOLLOWING SECTION CAREFULLY.

Some models are designed for use only with the power supply voltage of the region where they are sold.

European models: AC 230V, 50Hz
U.S.A. and Canadian models: AC 120V, 60Hz

CAUTION: TO PREVENT ELECTRIC SHOCK DO NOT USE THIS POLARISED PLUG WITH AN EXTENSION CORD RECEPTACLE OR OTHER OUTLET UNLESS THE BLADES CAN BE FULLY INSERTED TO PREVENT BLADE EXPOSURE.

ATTENTION: POUR PREVENIR LES CHOCS ELECTRIQUES NE PAS UTILISER CETTE FICHE POLARISEE AVEC UN PROLONGATEUR, UNE PRISE DE COURANT OU UNE AUTRE SORTIE DE COURANT, SAUF SI LES LAMES PEUVENT ETRE INSEREES A FOND SANS EN LAISSER AUCUNE PARTIE A DECOUVERT.



CAUTION: TO REDUCE THE RISK OF ELECTRIC SHOCK, DO NOT REMOVE COVER (OR BACK). NO USER SERVICEABLE PARTS INSIDE. REFER SERVICING TO QUALIFIED SERVICE PERSONNEL.



AFIN DEVIETER UN CHOC ELECTRIQUE, ET LES CONSEQUENCES GRAVES QUI POURRAIENT EN RESULTER, TENTEZ PAS D'OUVRIR L'APPAREIL ET DE TOUCHER AUX COMPOSANTS INTERNES SANS LA PRESENCE D'UNE SERVICE PERSONNEL.

CAUTION : TO REDUCE THE RISK OF ELECTRIC SHOCK, DO NOT REMOVE COVER (OR BACK). NO USER-SERVICEABLE PARTS INSIDE, REFER SERVICING TO QUALIFIED SERVICE PERSONNEL.

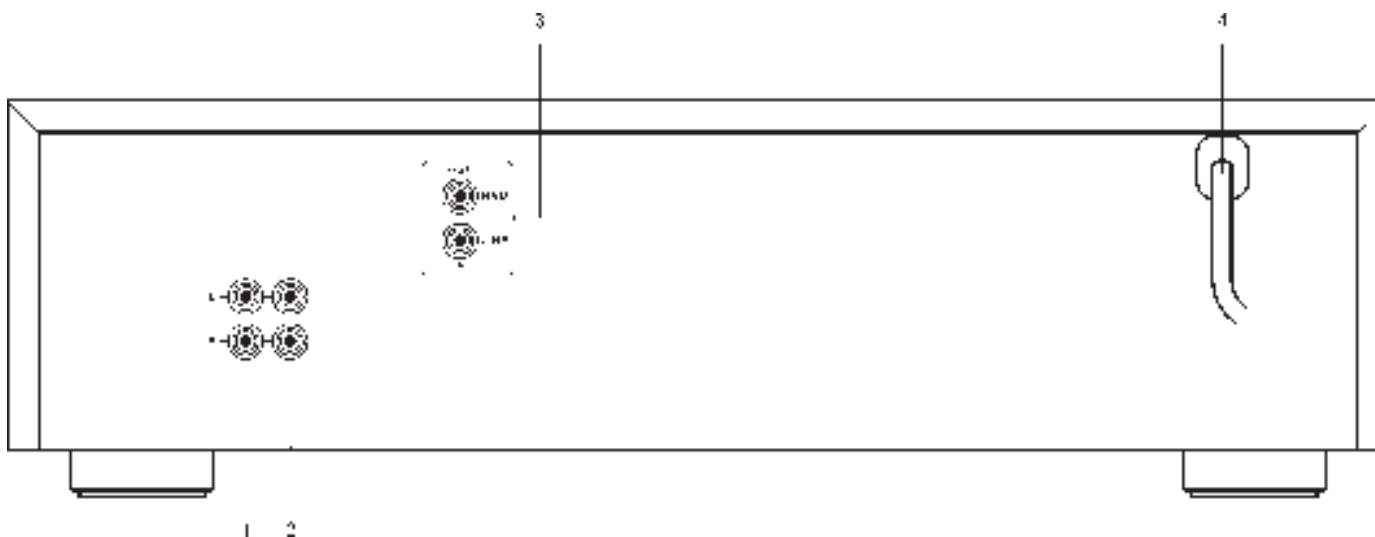


The lightning flash with arrowhead, within an equilateral triangle is intended to alert the user of the presence of un-insulated "dangerous voltage" within the product's enclosure; that may be of sufficient magnitude to constitute a risk of electric shock to persons.



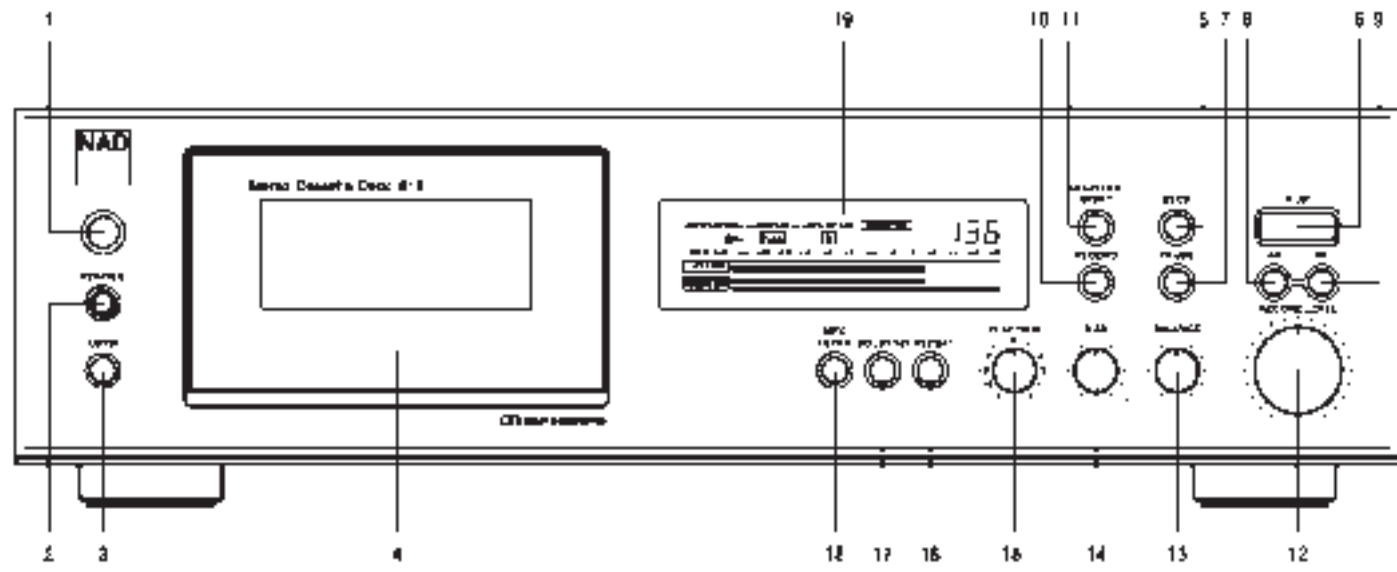
The exclamation point within an equilateral triangle is intended to alert the user of the presence of important operating and maintenance (servicing) instructions in the literature accompanying the appliance

REAR PANEL CONNECTIONS



© 1995. NAD ELECTRONICS LTD. 613.

FRONT PANEL CONTROLS



© 1995. NAD ELECTRONICS LTD. 613.

Figure 1.

Figure 2.

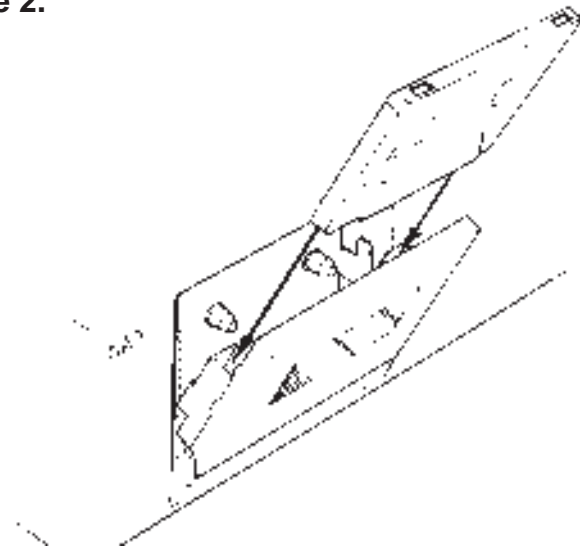
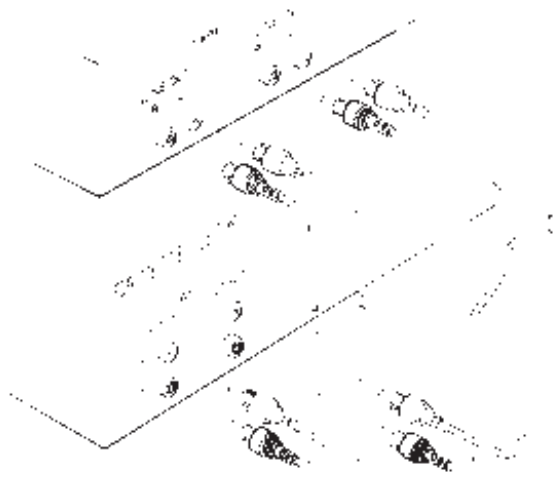
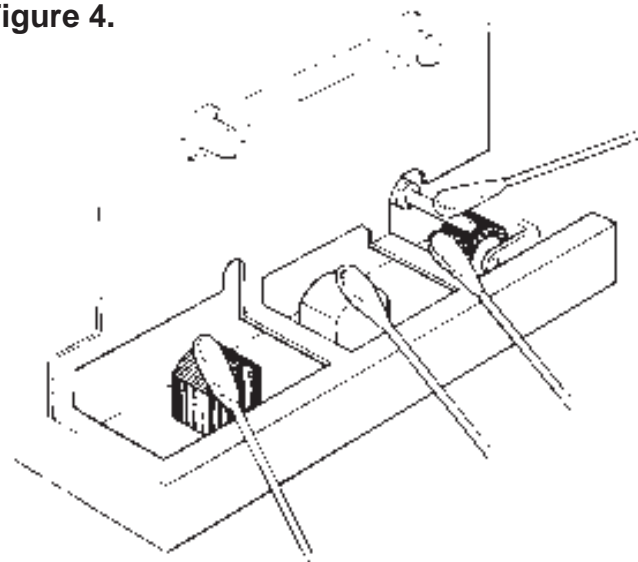


Figure 3.

Figure 4.





NAD 613 CASSETTE DECK

INSTALLATION

The recorder may be installed on any stable surface that is not subjected to vibration or intense magnetic fields. It should not be placed directly on a loudspeaker, a television set, or a large power amplifier where it might pick up hum from the amplifier's power transformer. If you wish to install the recorder next to an amplifier on the same shelf, place the recorder on the left so that its cassette compartment will be located away from the amplifier.

WARNING TO UK USERS. If this apparatus is not fitted with a UK three-pin plug, do not attempt to insert the attached plug into a UK mains socket. Instead, cut the plug from the mains lead and attach a **fused** UK three-pin plug using the following safety advice on wiring.

IMPORTANT. The wires in this mains lead are coloured **BLUE** and **BROWN**;

BLUE: NEUTRAL **BROWN: LIVE**

The colours of these mains lead wires may not correspond with the coloured markings identifying the terminals in your plug. In this case the **BROWN** wire must be connected to the terminal which is marked **L(ive)** or coloured **RED**. The **BLUE** wire must be connected to the terminal marked **N(eutral)** or coloured **BLACK**. No connection should be made to the terminal marked **E** or coloured green or green and yellow.

PRECAUTIONS

To ensure that maximum performance of the NAD 613 cassette deck is maintained over time, please bear the following precautions in mind:

THE DECK

- A. Make sure the heads and transport are cleaned regularly. Please refer to page 8.
- B. Demagnetise both heads and tape guidance from time to time. Please refer to page 8.
- C. The bearings and other moving parts have been treated with special lubricants and are therefore maintenance-free. Additional lubrication can actually cause malfunctioning.
- D. Do not position the deck near equipment with strong magnetic fields, such as loudspeakers or televisions, etc.
- E. Place the deck on a solid, flat surface.
- F. Avoid dirt, dust, sand, etc. from entering the deck.
- G. Avoid placing near transmitters: they can generate high frequencies which may cause malfunctioning of the deck.
- H. Ensure the cassette deck compartment lid is closed when the deck is not in use. Open it only for taking a cassette in or out, or for cleaning the heads and tape guides.
- I. Do not place the deck directly on top of a (power) amplifier or receiver. The deck may pick up hum from the amplifier's power transformer. Some amplifiers can also generate a fair amount of heat, even when on stand-by.

WARNING : BEFORE PLUGGING IN THE UNIT FOR THE FIRST TIME, READ THE FOLLOWING SECTION CAREFULLY.

Some models are designed for use only with the power supply voltage of the region where they are sold.

European models: AC 230V, 50Hz
U.S.A. and Canadian models: AC 120V, 60Hz

THE CASSETTE TAPES

- A. Store the cassette tapes in their jewel case, away from dust. Never store tapes in direct sunlight or very hot places.
- B. Always use cassette tapes of a good quality. Besides mediocre results, poor quality tapes can cause excessive head wear.
- C. Never touch the exposed tape itself or take it out of its cassette casing.
- D. In most cases the cassette tape has a five to eight second leader tape at both the beginning and end of a cassette tape. As you cannot record on this leader tape, be sure to commence recording beyond this tape.

REAR PANEL CONNECTIONS & CONTROLS.

The numbers in the text refer to the connections in figure "REAR PANEL CONNECTIONS"

This cassette deck can be connected to almost all pre-amplifiers, integrated amplifiers or receivers. Ensure the plugs are fully inserted and the recording and playback cables are connected properly.

1. INPUT.

Connect a cable from the deck's "LINE IN" jacks at the rear panel to the TAPE OUT or REC jacks of your amplifier. Connect the left channel of the deck to the left channel of the amplifier and connect the right channel of the deck to the right channel of the amplifier. Normally, the red plug is used for the right channel, the black or white plug for the left channel. Please refer to figure 1.

2. OUTPUT.

Connect a cable from the deck's "LINE OUT" jacks at the rear panel to the TAPE IN, PLAY, or MONITOR jacks of your amplifier. Connect the left channel of the deck to the left channel of the amplifier and connect the right channel of the deck to the right channel of the amplifier. Normally, the red plug is used for the right channel, the black or white plug for the left channel. Please refer to figure 1.

3. NAD LINK.

The "NAD Link IN" connector allows the NAD 613 to be operated by external remote control signals passed from another NAD remote control component featuring NAD Link, e.g. AV 716 receiver. NAD Link works in a "daisy chain" fashion, connections going from one unit to the next one. Many NAD receivers and AV components come supplied as standard with an NAD system remote control which sports buttons for most used tape transport functions (Play, Record, Fast Forward, Rewind, Stop, etc.). It is recommended that the NAD 613 is the second unit in the daisy chain after the "master" unit, usually a receiver. Connect a cable from the master unit Link Out (e.g. the AV 716) to the NAD Link IN jack on the 613.

The "NAD Link OUT" connector allows remote control commands to be relayed from the 613 to other products equipped with a NAD Link (or compatible) input. For example, you can operate a CD player, a tuner and this cassette deck from a single system remote control. Connect a cable from the recorder's NAD Link OUT socket to the NAD Link IN jack on another product.

4. POWER.

Connect the AC mains cable to a convenient wall socket or to an AC convenience outlet at the rear of your amplifier or receiver.

FRONT PANEL CONTROLS

The numbers in the text refer to the controls in figure "FRONT PANEL CONTROLS".

1. POWER.

Press this button to switch on the power to the cassette deck. The display will light up and the Pause icon "II" will flash for three seconds during which time the deck will not respond to any commands. To turn off the power, press again and release. Always press STOP before switching off the deck.

2. PHONES.

Insert a stereo headphone with a 6.5 mm jack here. When recording or playing back a tape the sound can be monitored through the headphones at a fixed level.

3. OPEN.

When this button is pressed, the door of the cassette compartment swings open to allow a tape to be inserted or to be removed. During play-back or recording the door cannot be opened.

4. CASSETTE COMPARTMENT.

The cassette tape must be inserted into this compartment. Use the "OPEN" button to open the compartment. With a gentle push, until a click is heard, the compartment can be closed.

5. STOP.

This button will stop all tape transport functions such as play, record, fast forward and rewind. It will also disengage the Record-pause and Play-pause mode.

6. PLAY.

To play-back a tape use this button. The Play icon ► will light up in the display.

- To load a cassette tape, remove it from its protective jewel case. Before inserting the cassette, ensure the tape is straight and taut where it is exposed at the thick edge of the cassette.

N.B. If necessary, insert a pencil into either hub

and manually wind the tape spool until any slack is taken up.

- Switch on the unit by pressing the POWER (1) switch. After use, the unit can be switched off by pressing the button again.

- Press the OPEN (3) button to release the cassette compartment door and insert the tape with the thick edge -where the tape is exposed- downwards. The cassette tape is held in a carrier within the door assembly.

Refer to figure 2.

- Press the cassette compartment door shut until a light "click" is heard. The tape is now in position.

- The tape can be removed by again using the OPEN (3) button.

Please note the button doesn't work during tape travel.

- Reset the tape counter (in the display) to "0000" by pressing the RESET (11) button.

- Select the appropriate DOLBY NR (17) position (Dolby NR Off, Dolby B NR or Dolby C NR) to suit the particular tape you wish to play back. Refer to the chapter "How to get the best performance from your NAD 613 cassette deck" section "Dolby NR noise reduction systems B & C" for more information.

- Press the PLAY (6) button to engage tape transport. The play icon ► in the display will light up to indicate the play status.

- If the recording sounds dull, turn the PLAY TRIM control (15) up (clock-wise) to restore accurate highs. If the recording sounds edgy or sibilant, turn the Play-Trim down to obtain smoother treble. Refer to chapter "How to get the best performance from your NAD 613 cassette deck", section "The Play Trim control" for further information.

- Press the STOP (5) button if you wish to end play-back.

7. PAUSE.

If you wish to interrupt play-back or recording for a moment, use this button. By pressing PLAY, you can resume play-back or recording. In the display the icon for Pause "II" will light up to indicate the tape pause status. Press Play again to resume playing back or recording.

8. REWIND ◀◀.

With the ◀◀ function you can rewind the tape from right to left. Fast rewind is stopped automatically once the beginning of a tape is reached or if REPEAT Block had been engaged and the tape has reached the beginning of the block (see also section "REPEAT" (16) of this chapter). You can stop rewind manually by using the STOP button.

9. FAST FORWARD ▶▶.

With the ▶▶ function you can wind the tape forward from left to right. Fast forward is stopped automatically once the end of a tape is reached. You can stop fast forward manually by using the STOP button.



10. RECORD.

This button, when pressed together with either the PLAY or PAUSE button, will activate the recording circuits. The "Record" annunciator with either play or pause icon will light up in the display. By pressing PLAY in combination with RECORD, the recording will start immediately; by pressing PAUSE with RECORD only the recording circuits will be activated. By subsequently pressing PLAY recording will start. Now the "Record" annunciator together with the play icon in the display will light up to indicate the recording status.

- Insert a tape as described in the section "tape replay" above.
- Set the DOLBY NR (17) selector to the desired type of noise reduction (no noise reduction; OFF, B or C). Do not change the Dolby NR setting whilst the deck is recording. Refer to the chapter "How to get the best performance from your NAD 613 cassette deck", section "The Dolby NR noise reduction systems B & C" for more detailed information.
- Press the RECORD (10) button together with the PAUSE (7) button; the red annunciator and pause icon in the display will light up.
- Adjust the recording level using the rotary RECORD LEVEL (12) control and BALANCE (13) control.

Refer to chapter "How to get the best performance from your NAD 613 cassette deck", section "Recording level" for more information.

- Start the recording by pressing the PLAY (6) button.

If you wish to interrupt a recording whilst keeping the recording circuits and display active, press the PAUSE (7) button. When you are ready to resume recording press PLAY (6). This technique is useful for omitting announcements or commercials when recording from radio or television.

- To stop recording, press the STOP (5) button.

(Note: Play Trim has no effect during recording.)

11. RESET.

Press this button to reset the tape counter to "0000". The counter can be re-set at any point while a tape is playing to mark a particular place on the tape. The counter is re-set to 0000 after power has been turned off as well.

12. RECORD LEVEL.

The recording level for both channels can be controlled with this control. The two horizontal bars in the display give you an exact indication of the record level during recording. The bars also work during play-back. These recording level meters are equipped with an automatic "Peak hold" facility which will display the highest peak for one second, even if the peak itself lasted only a fraction of a second to facilitate accurate read-out. Refer to chapter "How to get the best performance from your NAD 613 cassette deck", section "Recording level" for more detailed information.

13. BALANCE.

The recording balance between left and right channel can be adjusted using this control. Normally this control is set at the 12 o'clock position.

Refer to chapter "How to get the best performance from your NAD 613 cassette deck", section "Recording level" for more information.

14. BIAS.

The Bias tuning control allows you to compensate for almost any brand-to-brand difference in tape sensitivity and frequency response. Turning the control clockwise will decrease treble (more Bias), turning it counter clockwise increases treble response (less Bias). Normally this control should be at the "0" position (centre detent). Refer to chapter "Getting the best performance from your NAD 613 cassette deck" section "Bias control" for more information.

15. PLAY TRIM.

Play Trim is a special play-back equalisation circuit to restore accurate play-back response from pre-recorded, old and worn tapes, tapes recorded in another deck, tapes which weren't recorded properly (too much or too little bias). This control will allow you to adjust the deck's circuitry to ensure proper Dolby NR tracking for a correct high frequency response.

Refer to chapter "Getting the best performance from your NAD 613", section "The Play Trim control" for more detailed information.

16. REPEAT.

The NAD 613 is equipped with two repeat modes; repeat the entire side of a cassette or repeat a pre-selected block 5 times. The REPEAT button scrolls through three different settings: OFF FULL BLOCK OFF FULL, etc. (indicated in the display). Select FULL (either from stop or during play-back) to repeat the entire cassette.

To repeat a pre-selected block:

- Select BLOCK by pressing REPEAT twice. BLOCK lights up in the display.
- Press the PLAY button (6) to start play-back. BLOCK now flashes in the display.
- Press the PLAY button again to mark the beginning of the block. You can press PLAY again to change the beginning of the block. BLOCK continues to flash in the display.
- When you have reached the end of the block you wish to repeat, press the REWIND ◀ button (8). The block indicator stops flashing and remains lit until the pre-selected block has been repeated five times or STOP is pressed.

17. DOLBY NR.

The Dolby NR™ Noise Reduction systems have been devised to reduce tape hiss. The display indicates if Dolby NR has been selected and which type (B or C). The button allows you to scroll through the different settings: OFF B C OFF B, etc. (indicated in the display). Select the same type of

Dolby NR with which the tape was originally recorded for playback. Select the Dolby NR position with which you wish to make a recording before starting a recording. Refer to chapter "Getting the best performance from your NAD 613", section "Dolby NR Noise Reduction systems B & C" for more details. Dolby NR will default to OFF after the deck has been switched off.

18. MPX FILTER.

When recording off-air with some tuners an inaudible high frequency signal can cause mis-tracking of the Dolby NR noise reduction circuit which results in dull sound when the recording is played back. The MPX filter blocks these high frequencies (above 15kHz).

Press the MPX button if you are experiencing such problems; MPX FILTER will light up in the display. If you don't record from radio you do not need to select the MPX filter.

19. DISPLAY.

Various functions of the deck are displayed, Recording, Play, Pause, Dolby NR OFF/B/C/, Repeat OFF/FULL/BLOCK, Record level and Tape Counter.

GETTING THE BEST PERFORMANCE FROM YOUR NAD 613 CASSETTE DECK.

The numbers in the text refer to the controls in figure "FRONT PANEL CONTROLS" unless mentioned otherwise.

THE DOLBY NR NOISE REDUCTION SYSTEMS B & C.

The deck is equipped with two types of Dolby NR noise reduction. Dolby C NR provides the greatest quieting of tape hiss, important when taping "live" musical performances or recordings with a wide dynamic range (digital Compact Discs, for example).

Dolby B NR provides optimum compatibility with older tape recorders, portable and car stereo tape players. Dolby B NR should also be used when playing most pre-recorded music cassettes.

Each Dolby NR system is active both during recording and play-back. Thus if a tape is recorded with Dolby C NR, it must be played back with Dolby C NR in order for the benefits to be obtained. Similarly, if Dolby B NR has been used during recording, than it should be used in play-back as well.

To avoid confusion, it is recommended that you label each cassette B or C when it is recorded, to indicate the type of noise reduction used.

NOTE: After switching Power off, the Dolby NR circuits will be switched off. Make sure you select the appropriate Dolby NR setting again after switching the deck on.

Tape sensitivity is constantly changing as record-

ings are made due to the biasing effect of high frequency audio signals. dolby HX Pro is a system that compensates for these undesirable fluctuations during recording. It does not operate during playback, so cassettes recorded with Dolby HX Pro can be played back on decks not equipped with the system.

NOTE: Dolby HX Pro operates independently of Dolby B and C NR, and only during recording.

THE BIAS CONTROL.

Matching the recorder's bias to the tape is especially important when Dolby NR noise reduction is used, because any departure from flat high-frequency response will be magnified in the Dolby NR NR circuit during play-back, making the sound excessively bright or dull. The "Bias" control (14) allows you to compensate for brand-to-brand tape differences. The procedure for fine tuning the bias is as follows:

1. Load an unrecorded tape and fast forward for a few seconds to get past the blank leader tape at the beginning.
2. Set the "Play Trim" (15) control at "0" (the centre detent position) and press the "Multiplex Filter" button (18) to engage the filter (indicated in display).
3. Press "Dolby NR" (17) to select "C".
4. Set the "Bias" control (14) at "0" (the centre detent position).
5. Press the "Reset" button (11) and record a brief sample of music at peak level of about -8dB.
6. Rewind the tape to approximately to 0000.
7. Play back the sample of music and evaluate its tonal balance in comparison to the original.
8. If the recording sounds duller than the original, turn the Bias control DOWN (counter clockwise) to boost the highs (less bias). If the high frequencies are exaggerated in the recording, turn the control UP (clockwise) to reduce the treble response (increase bias).
9. To test the new bias setting, make another brief trial recording and check the results. Fine tune again if necessary.

NOTES:

- The Bias control affects tapes only while a recording is being made. It cannot be used to improve the quality of tapes after they are recorded.
- We recommend you consistently use the same brand and type quality tapes to get the best and most consistent performance from the recorder. Set the Bias control to match that particular tape.

RECORDING LEVEL.

The two horizontal segmented bars display the peak level of the source's signal in each channel. Adjust the recording level by turning down (counter clock-wise) or turning up (clock-wise). There are various tape formulations - normal (I), CrO2 (II) and Metal (IV) - available, each with its own specific characteristics such as saturation level. The NAD 613 senses automatically which tape type is used and adapts its settings accordingly. Too low a recording



level will result in excessive tape hiss, whereas too high a recording level will result in distortion. The standard procedure is to set the recording level to accommodate the loudest part of the music, and then leave the controls alone. Set the control so that sustained sounds, e.g. a singing voice or full orchestral chord reaches the red segments (up to 4 dB). With music that spans a wide range of volume levels, this may mean that the quiet portions of the music will be recorded at a level of -20 dB or less (with no segments illuminated). This is normal.

The BALANCE (13) control will allow you to alter the left/right balance of a recording. When turned fully counter clock-wise, only the left channel will be recorded, whereas turned fully clock-wise only the right channel will be recorded. For normal use the control is set in the detent in the centre of its range, recording each channel with equal levels.

If you wish to erase a tape, without making a new recording, follow the procedure as described above, but turn the RECORD LEVEL (12) control fully counter clock-wise. No recording level segments will illuminate.

ACCIDENTAL ERASURE PREVENTION.

Whilst making a new recording any previous recordings already on the tape will automatically be erased. If you wish to protect a tape from being erased or re-recorded accidentally, you can remove the tape's protection tabs. This way the record function will not engage. Please note that most pre-recorded tapes commercially available already have the tabs removed. Using adhesive tape over the holes will enable the circuits to record again.

CrO₂ (type II) and Metal (type IV) tapes have additional holes in the cassette housing, enabling the deck to "recognize" the various tape types. Make sure you do not cover these holes as well! Refer to figure 3.

THE PLAY TRIM CONTROL.

Position the PLAY TRIM control in the "0" (centre detent) position for normal play-back.

Errors in high frequency response often occur in cassette recordings, especially in tapes that were recorded on one machine and are being played on another. These errors arise from tape saturation - particularly those tapes recorded on decks without HX Pro headroom extension -, from biasing that didn't match the tape when the recording was made, and from differences in equalisation and head azimuth among recorders.

These errors cause mis-tracking of the Dolby NR circuits, which in turn cause the faults to be "magnified" by the circuits, often resulting in dull sound.

Play Trim is a special high-frequency play-back equalisation circuit, used to restore accurate play-back response before Dolby NR decoding takes place. Standard play-back equalisation, for correctly recorded tapes, is provided when the Play Trim control is set at the detent in the centre of its range.

When playing tapes, set the DOLBY NR selector to

match the recorded tape. If the recording sounds dull, turn the Play-Trim up (clock-wise) to restore accurate highs. If the recording sounds edgy or sibilant, turn the Play-Trim down to obtain smoother treble.

NOTE: The Play Trim control only affects play-back and doesn't function whilst making a recording.

MAINTENANCE

The bearings and other moving parts have been factory treated with special lubricants and do not need any special attention.

Dirt, dust and tape-oxide can potentially damage the heads and tape guidance, besides degrading the sound quality both on play-back and recording. Parts in direct contact with the tape therefore need to be cleaned regularly.

NOTE: Make sure the receiver or amplifier is switched off before cleaning or demagnetising the heads.

CLEANING

Open the cassette compartment door. At the bottom of the compartment you can see the heads and tape guidance (capstan and pinch-roller). Refer to figure 4.

Clean the heads (A & B) and the capstan (C) using cotton wool buds with pure alcohol or with a dedicated Tape Recorder Cleaner.

Clean the pinch-roller (D) using only distilled water. Never use alcohol on the roller, as the rubber will dry out. Alternatively, you can use a special cleaning cassette. Be sure to use a cassette that cleans all parts illustrated in figure 3.

DEMAGNETIZING

Parts in direct contact with the tape will become slightly magnetic over time. This magnetism will increase hiss, both during play-back and recording.

It is therefore advisable to demagnetise the heads, pinch roller and other metal tape guidance parts from time to time, using a demagnetiser or a demagnetising cassette. Follow the instructions of the demagnetiser or demagnetising cassette.

WARNING

Keep demagnetisers away from your tapes, they can accidentally erase the recordings.

Your dealer will be able to advise you and supply the proper accessories for both cleaning and demagnetising.

PLAY TRIM was developed by NAD and Dolby Laboratories Inc.
HX Pro originated by Bang and Olufsen.
Dolby Noise reduction and HX Pro headroom extension manufactured under license from Dolby Laboratories Licensing Corporation.
"Dolby" "Dolby NR", the double-D symbol and "HX Pro" are registered trademarks of the Dolby Licensing Corporation.
Dolby NR is a registered trademark of Dolby Laboratories Ltd.

INSTALLATION

Placer la platine sur n'importe quelle surface stable non soumise à des vibrations ou à des champs magnétiques intenses. Ne jamais placer cet appareil directement sur un haut-parleur, un téléviseur ou un gros amplificateur de puissance, car il risquerait de capter le ronflement du transformateur de puissance de l'amplificateur. Si l'on souhaite placer l'appareil à côté d'un amplificateur qui se trouve sur la même étagère, le positionner à gauche de manière à ce que son compartiment cassettes soit le plus loin possible de l'amplificateur.

ATTENTION: AVANT DE BRANCHER CET APPAREIL SUR LE SECTEUR POUR LA PREMIERE FOIS, IL EST IMPERATIF DE LIRE ET DE COMPRENDRE LA SECTION SUIVANTE.

Certains modèles sont conçus pour être utilisés uniquement avec la tension secteur de la région du monde dans laquelle ils ont été vendus.

Modèles européens: AC 230V, 50Hz

Modèles américains et canadiens: AC 120V, 60Hz

PRECAUTIONS

Pour garantir des performances maximales de la platine à cassettes NAD 613 dans le temps, garder à l'esprit les recommandations suivantes :

LA PLATINE

A. Faire attention de nettoyer régulièrement les têtes et le mécanisme de défilement. Se reporter à la page 14.

B. Démagnétiser les têtes et le dispositif d'entraînement des bandes, de temps à autre. Se reporter à la page 14.

C. Les roulements et les autres pièces en mouvement ont été traités avec des lubrifiants spéciaux, et ne nécessitent donc aucun entretien. Toute tentative de lubrifier ces pièces pourrait provoquer un mauvais fonctionnement.

D. Ne pas placer la platine à proximité de matériels à champ magnétique fort, tels que haut parleurs et téléviseurs, etc ...

E. Poser la platine sur une surface stable et plane.

F. Eviter la pénétration de saletés, de poussières ou de sable, etc ... à l'intérieur de la platine.

G. Eviter de placer la platine à proximité d'émetteurs : ces dispositifs génèrent des fréquences élevées pouvant provoquer un mauvais fonctionnement de la platine.

H. S'assurer que le couvercle du compartiment cassettes est fermé lorsque la platine ne fonctionne pas. N'ouvrir ce couvercle que pour introduire ou retirer une cassette, ou pour nettoyer les têtes et le dispositif d'entraînement des bandes.

I. Ne pas poser la platine directement sur un amplificateur (de puissance) ou un récepteur. La platine pourrait capter le ronflement de secteur généré par le transformateur de puissance de l'amplificateur. Certains amplificateurs produisent aussi une quantité assez importante de chaleur, même en état de veille.

LES BANDES A CASSETTE

A. Stocker les cassettes dans leur étui, à l'abri de la poussière. Ne jamais stocker les cassettes dans un endroit exposé au rayonnement direct du soleil, ou dans un endroit chaud.

B. N'utiliser que des cassettes de bonne qualité. Sans parler des résultats médiocres que l'on obtient, les bandes de qualité douteuse peuvent provoquer une usure excessive.

C. Ne jamais toucher la partie exposée de la bande, et ne jamais l'extraire de son boîtier cassette.

D. Dans la plupart des cas, la bande à cassette a une amorce de 5 à 8 secondes à chaque extrémité. Comme il n'est pas possible d'enregistrer sur cette amorce, faire attention de bien commencer l'enregistrement après le début de la bande proprement dite.

Carte de garantie

Le numéro de série est inscrit sur le panneau arrière de cet appareil. Recopiez ce numéro de série et le numéro de modèle sur la carte de garantie, et conservez cette carte dans un endroit sûr.

COMMANDES ET BRANCHEMENTS SUR LE PANNEAU ARRIERE

Les chiffres-repères dans le texte correspondent aux branchements indiqués à la Figure "BRANCHEMENTS SUR LE PANNEAU ARRIERE".

Cette platine à cassettes se branche sur à peu près tous les préamplificateurs, amplificateurs intégrés ou récepteurs. S'assurer que les prises sont bien enfoncées, et que les câbles d'enregistrement et de lecture sont branchés correctement.

1. INPUT [ENTREE]

Brancher un câble entre les jacks d'ENTREE LIGNE [LINE IN] de la platine, sur la face arrière, et les jacks de sortie magnétophone [TAPE OUT] ou d'enregistrement [REC(-ORDER)] de votre amplificateur. Brancher la voie gauche de la platine à la voie gauche de l'amplificateur, et la voie droite de la platine à la voie droite de l'amplificateur. En principe, la prise rouge correspond à la voie droite et la prise noire ou blanche à la voie gauche. Se reporter à la figure 1.

2. OUTPUT [SORTIE]

Brancher un câble entre les jacks de SORTIE OUT [LINE OUT] de la platine, sur la face arrière, et les jacks d'entrée magnétophone [TAPE IN], de lecture [PLAY] ou de contrôle [MONITOR] de votre amplificateur. Brancher la voie gauche de la platine à la voie gauche de l'amplificateur, et la voie droite de la platine à la voie droite de l'amplificateur. En principe, la prise rouge correspond à la voie droite et la prise noire ou blanche à la voie gauche. Se reporter à la figure 1.

3. NAD LINK [LIAISON NAD]

Le connecteur "ENTREE Liaison NAD" [NAD Link IN] permet de commander la NAD 613 à l'aide de signaux de télécommande externes relayés par un autre

élément télécommandé doté d'une Liaison NAD (le récepteur AV 716, par exemple). La Liaison NAD fonctionne comme une chaîne, les liaisons passant successivement d'un appareil à un autre. De nombreux récepteurs NAD et éléments AV sont fournis à l'origine avec une télécommande de chaîne NAD, qui comporte les boutons nécessaires pour commander la plupart des fonctions d'entraînement de bande (Lecture, Enregistrement, Avance Rapide, Rembobinage, Arrêt, etc ...). Il est conseillé de positionner la NAD 613 à la première place sur la chaîne de Liaison NAD, juste après l'appareil "maître", qui sera en principe un récepteur. Brancher un câble entre la Sortie Liaison NAD [NAD Link Out] de l'appareil maître (par exemple l'AV 716) et le jack d'ENTREE Liaison NAD [NAD Link IN] de la 613.

4. ALIMENTATION [POWER]

Brancher le câble secteur sur une prise murale accessible, ou sur une sortie commutée à l'arrière de votre amplificateur ou de votre récepteur.

COMMANDES SUR LA FACE PARLANTE

Les chiffres-repères dans le texte correspondent aux commandes de la Figure "COMMANDES SUR LA FACE PARLANTE"

1. POWER [ALIMENTATION]

Appuyer sur ce bouton-poussoir pour mettre la platine à cassette sous tension. L'affichage s'allume et l'icône de Pause "||" clignote pendant trois secondes, temps pendant lequel la platine ne réagit à aucune commande. Pour désalimenter la platine, réappuyer sur ce bouton-poussoir puis le relâcher. Toujours appuyer sur ARRET [STOP] avant de couper l'alimentation de la platine.

2. PHONES [CASQUE]

Brancher un casque stéréo équipé d'un jack de 6,5 mm à cet endroit. Lors de l'enregistrement ou de la lecture d'une bande, il est possible de contrôler le signal en l'écoutant à un niveau sonore fixe.

3. OPEN [OUVERTURE]

Une impulsion sur ce bouton provoque l'ouverture de la porte du compartiment cassette, permettant ainsi d'insérer ou de retirer une cassette. Pendant le défilement de la bande, il est impossible d'ouvrir la porte du compartiment cassette.

4. COMPARTIMENT CASSETTE

C'est dans ce compartiment que l'on insère la cassette. Appuyer sur le bouton D'OUVERTURE [OPEN] pour ouvrir le compartiment. Pour le refermer, appuyer doucement jusqu'à ce que l'on entende un déclic.

5. STOP [ARRET]

Le bouton d'Arrêt permet d'annuler toutes les fonctions d'entraînement de la bande, telles que lecture, enregistrement, rembobinage ou avance rapide. Il

annule aussi les modes Pause enregistrement et Pause lecture.

6. PLAY [LECTURE]

Appuyer sur ce bouton pour lire une cassette. L'icône de lecture ► s'allume sur l'affichage.

- Pour charger une bande à cassette, la retirer de son étui de protection. Avant d'insérer la cassette, vérifier que la bande est bien rectiligne et tendue à l'endroit où elle est exposée, sur le côté renflé de la cassette.

NOTA : Le cas échéant, introduire un crayon dans l'un des moyeux, puis embobiner manuellement la bande jusqu'à ce qu'elle n'ait plus de mou.

- Mettre l'appareil sous tension en appuyant sur l'interrupteur d'ALIMENTATION [POWER] (1). Lorsque l'on a fini avec la platine, il suffit de réappuyer sur ce même bouton pour la mettre hors tension.

- Appuyer sur le bouton d'OUVERTURE [OPEN] (3) pour déverrouiller la porte du compartiment cassette, et insérer la cassette avec son bord renflé (c'est à dire le côté comportant la bande exposée) vers le bas. La cassette est maintenue dans un dispositif de soutien solidaire de la porte.

Se reporter à la Figure 2.

- Appuyer sur la porte du compartiment cassette pour la fermer ; la fermeture est marquée par un léger déclic. La cassette est alors en place.

- Pour retirer la cassette, il suffit d'appuyer une fois de plus sur le bouton d'OUVERTURE [OPEN] (3).

Il est à noter que ce bouton n'a aucun effet lorsque la bande défile.

- Remettre le compteur de bande (sur l'affichage) à zéro en appuyant sur le bouton de REMISE A ZERO [RESET] (11).

- Choisir la position appropriée du sélecteur DOLBY NR (17) correspondant au type de bande que l'on souhaite écouter (Dolby NR Arrêté [Off], Dolby B NR ou Dolby C NR). Se reporter à la section "Systèmes d'Atténuation de Bruit Dolby B NR et C" du chapitre "Comment obtenir les meilleures performances de votre platine à cassettes NAD 613", pour de plus amples informations.

- Appuyer sur le bouton de LECTURE [PLAY] (6) pour démarrer le dispositif d'entraînement. L'icône de lecture ► s'allume sur l'affichage pour indiquer l'état de lecture.

- Si l'enregistrement semble émoussé, augmenter le réglage du bouton ALIGNEMENT DE LECTURE [PLAY TRIM] (15) (sens horaire) pour rétablir des fréquences élevées précises. Si l'enregistrement semble sec ou sifflant, diminuer le réglage du bouton ALIGNEMENT DE LECTURE [PLAY TRIM] (sens anti-horaire) pour obtenir des aigus plus lisses. Se reporter à la section "La Commande d'Alignement de Lecture" du chapitre "Comment obtenir les meilleures performances de votre platine à cassettes NAD 613" pour de plus amples informations.

- Appuyer sur le bouton-poussoir d'ARRET [STOP] (5) pour arrêter la lecture.

7. PAUSE

Si l'on souhaite momentanément interrompre la lecture ou l'enregistrement, il suffit d'appuyer sur ce bouton. Pour reprendre la lecture ou l'enregistrement, appuyer simplement sur LECTURE [PLAY]. Sur l'affichage, l'icône de Pause "I I" s'allume pour indiquer l'état de pause de la bande. Appuyer une nouvelle fois sur Lecture pour reprendre la lecture ou l'enregistrement.

8. REWIND [REMOBINAGE] ◀◀

A l'aide de la fonction ◀◀, on peut faire rembobiner la bande de la droite vers la gauche. Le rembobinage rapide s'arrête automatiquement dès que le début de la bande est atteint, ou dès que la bande atteint le début de la Section si la fonction REPETITION Section [REPEAT Block] a été activée (voir aussi la section "REPETITION" [REPEAT] (16) de ce même chapitre). On peut arrêter le rembobinage manuellement, en appuyant sur le bouton d'ARRET [STOP].

9. FAST FORWARD [AVANCE RAPIDE] ▶▶

A l'aide de la fonction ▶▶, on peut faire défiler la bande rapidement de la gauche vers la droite. L'avance rapide s'arrête automatiquement dès que la fin de la bande est atteinte. On peut arrêter l'avance rapide manuellement, en appuyant sur le bouton d'ARRET [STOP].

10. RECORD [ENREGISTREMENT]

Ce bouton, utilisé en même temps que les boutons de LECTURE [PLAY] ou PAUSE, met en fonction les circuits d'enregistrement. Le témoin "d'Enregistrement" [Record], accompagné de l'icône de Lecture ou de Pause, s'allume sur l'affichage. Le fait d'appuyer simultanément sur LECTURE [PLAY] et sur ENREGISTREMENT [RECORD] lance l'enregistrement immédiatement, alors que les boutons PAUSE et ENREGISTREMENT utilisés ensemble n'activent que les circuits d'enregistrement, sans faire défiler la bande. A partir de cet état, l'enregistrement démarre lorsque l'on appuie sur le bouton de LECTURE [PLAY]. Dans ce cas, le témoin "d'Enregistrement" [Record] et l'icône de Lecture s'allument ensemble sur l'affichage pour indiquer que l'enregistrement est en cours.

- Insérer une bande suivant les instructions de la section "Lecture d'une bande" ci-avant.

- Choisir la position appropriée du sélecteur DOLBY NR (17) correspondant au type de bande que l'on souhaite écouter (aucune atténuation du bruit ; Dolby NR Arrêté [Off], Dolby B NR ou Dolby C NR). Ne pas modifier le réglage Dolby NR une fois que l'enregistrement d'une bande a commencé. Se reporter à la section "Systèmes d'Atténuation de Bruit Dolby B NR et C" du chapitre "Comment obtenir les meilleures performances de votre platine à cassettes NAD 613", pour de plus amples informations.

- Appuyer simultanément sur le bouton d'ENREGISTREMENT [RECORD] (10) et sur le bouton de PAUSE (7). Le témoin rouge "d'Enregistrement" [Record] et l'icône de Pause s'allument sur l'affichage.

- Régler le niveau d'enregistrement à l'aide des

commandes NIVEAU D'ENREGISTREMENT [RECORD LEVEL] (12) et BALANCE (13).

Se reporter à la section "Niveau d'Enregistrement" du chapitre "Comment obtenir les meilleures performances de votre platine à cassettes NAD 613" pour de plus amples informations.

- Lancer l'enregistrement en appuyant sur le bouton "Lecture" [PLAY] (6).

Pour interrompre un enregistrement tout en laissant les circuits d'enregistrement et l'affichage actifs, appuyer sur le bouton PAUSE (7). Pour reprendre l'enregistrement appuyer sur "Lecture" [PLAY] (6). Cette technique est très utile pour couper les enchaînements ou les publicités lorsque l'on réalise des enregistrements à partir de la radio ou de la télévision.

- Pour arrêter l'enregistrement, appuyer sur le bouton-poussoir d'ARRET [STOP] (5).

(Nota : La fonction "Alignement de lecture" [Play Trim] n'a aucun effet sur l'enregistrement.

11. RESET [REMISE A ZERO]

Appuyer sur ce bouton pour remettre le compteur de bande à zéro ("0000"). Il est possible de remettre le compteur à zéro à n'importe quel moment pendant la lecture d'une bande, de manière à repérer un endroit précis. Le compteur est aussi remis à zéro ("0000") lorsque l'appareil est mis hors tension.

12. RECORD LEVEL [NIVEAU D'ENREGISTREMENT]

Le niveau d'enregistrement des deux voies peut être réglé à l'aide de cette commande. Les deux barres horizontales sur l'affichage donnent une indication précise des niveaux pendant l'enregistrement. Ces barres fonctionnent aussi pendant la lecture. Ces indicateurs de niveau d'enregistrement sont dotés d'une fonction de "Rétention de valeur crête", qui affiche la crête la plus importante pendant une seconde, et ce même si la crête proprement dite n'a duré qu'une fraction de seconde, de manière à faciliter la lecture. Se reporter à la section "Niveau d'enregistrement" du chapitre "Comment obtenir les meilleures performances de votre platine à cassettes NAD 613" pour de plus amples informations.

13. BALANCE

La balance entre la voie gauche et la voie droite se règle à l'aide de cette commande. Cette commande se trouve normalement en position "12 heures".

Se reporter à la section "Niveau d'enregistrement" du chapitre "Comment obtenir les meilleures performances de votre platine à cassettes NAD 613" pour de plus amples informations.

14. BIAS [CORRECTION]

La commande d'alignement Correction permet de compenser à peu près toutes les différences de sensibilité et de réponse de fréquence des bandes de marques différentes. Le fait de tourner la commande en sens horaire aura pour effet d'atténuer les aigus

(augmentation de la Correction), alors qu'un réglage en sens anti-horaire augmentera la réponse des aigus (diminution de la Correction). Cette commande doit normalement être en position "0" (position centrale repérée par un cran). Pour de plus amples informations, se reporter à la section "Commande de Correction" du chapitre "Comment obtenir les meilleures performances de votre platine à cassettes NAD 613".

15. PLAY TRIM [ALIGNEMENT DE LECTURE]

"Play Trim" est un circuit spécial d'égalisation de la lecture, qui permet de retrouver une réponse précise lors de la lecture de bandes pré-enregistrées, anciennes ou usées, de bandes enregistrées sur une autre platine, ou de bandes mal enregistrées (trop ou trop peu d'alignement). Cette commande permet d'ajuster les circuits de la platine pour assurer un suivi Dolby NR correct, donnant ainsi une réponse en fréquence élevée correcte.

Se reporter à la section "Commande d'Alignement de Lecture" du chapitre "Comment obtenir les meilleures performances de votre platine à cassettes NAD 613", pour de plus amples informations.

16. REPEAT [REPETITION]

La NAD 613 possède deux modes de répétition : répétition de toute une face de la cassette, ou répétition d'une Section pré-sélectionnée cinq fois. Le bouton de REPETITION [REPEAT] fait défiler les trois possibilités (indiquées sur l'affichage) : RIEN_FACE_SECTION_RIEN_FACE, etc ... [OFF_FULL_BLOCK_OFF_FULL ...]. Pour obtenir la répétition de la cassette entière, choisir FACE [FULL] (soit lorsque la cassette est arrêtée, soit pendant la lecture).

Pour obtenir la répétition d'une section pré-sélectionnée :

- Choisir le mode SECTION [BLOCK] en appuyant deux fois sur le bouton de REPETITION [REPEAT]. L'indication SECTION [BLOCK] s'allume sur l'affichage.

- Appuyer sur le bouton de LECTURE [PLAY] (6) pour démarrer la lecture. L'indication SECTION [BLOCK] clignote sur l'affichage.

- Appuyer à nouveau sur le bouton de LECTURE [PLAY] pour repérer le début de la section. Si l'on change d'avis au sujet de l'endroit où doit commencer la section, il suffit de réappuyer sur le bouton de LECTURE [PLAY] pour redéfinir un nouveau point de début. L'indication SECTION [BLOCK] continue à clignoter sur l'affichage.

- Lorsque la lecture arrive à la fin de la section que l'on souhaite faire répéter, appuyer sur le bouton de REMBOBINAGE [REWIND] ◀ (8). L'indication SECTION [BLOCK] s'arrête de clignoter et s'allume en permanence jusqu'à ce que la section présélectionnée ait été répétée cinq fois, ou jusqu'à ce que l'on appuie sur le bouton d'ARRET [STOP].

17. DOLBY NR

Les systèmes DOLBY NR™ Noise Reduction (NR) ont été conçus pour diminuer le sifflement sur les bandes enregistrées. L'affichage indique si la fonction Dolby NR a été sélectionnée, et indique aussi le type (B ou C) concerné. Ce bouton permet de faire défiler les différents réglages :

RIEN [OFF] B C RIEN [OFF] B, etc ... (ces réglages sont indiqués sur l'affichage). Avant de lire une bande, mettre le sélecteur de Dolby NR dans la position où il se trouvait lors de l'enregistrement d'origine. Pour un enregistrement, choisir le réglage Dolby NR requis avant de commencer à enregistrer. Se reporter à la section "Systèmes d'Atténuation de Bruit Dolby B NR et C" du chapitre "Comment obtenir les meilleures performances de votre NAD 613" pour de plus amples informations. Les circuits Dolby NR passeront automatiquement en mode RIEN [OFF] après chaque mise hors tension de la platine.

18. MPX FILTER [FILTRE MPX]

Lorsque l'on réalise l'enregistrement d'une émission radio il arrive, sur certains tuners, que le circuit Dolby NR de réduction de bruit subisse un désalignement provoqué par un signal haute fréquence inaudible ; il en résulte une sonorité émoussée lors de la lecture de l'enregistrement. Le filtre MPX bloque les hautes fréquences (supérieures à 15 kHz) responsables de ce problème.

En cas de problème de ce type, appuyer sur le bouton MPX. L'indication FILTRE MPX [MPX FILTER] s'allume sur l'affichage. Si l'enregistrement n'est pas fait à partir d'une émission radio, il n'est pas nécessaire d'activer le filtre MPX.

19. AFFICHAGE

Les différentes fonctions de la platine sont affichées. Enregistrement, Lecture, Pause, Dolby NR INACTIF/B/C, REPETITION RIEN/FACE/SECTION, Niveau d'Enregistrement et Compteur de Bande.

COMMENT OBTENIR LES MEILLEURES PERFORMANCES DE VOTRE PLATINE A CASSETTES NAD 613

Les chiffres-repères dans le texte correspondent aux commandes de la Figure "COMMANDES SUR LA FACE PARLANTE", sauf indication contraire.

SYSTEMES D'ATTENUATION DE BRUIT DOLBY NR B ET C

La platine est équipée de deux types d'atténuation de bruit Dolby NR. Dolby C NR assure la plus grande atténuation du sifflement sur les bandes, ce qui est important lors de l'enregistrement de la musique jouée "en direct" ou pour retranscrire des enregistrements ayant une gamme dynamique très large (disques audionumériques [Compact Discs], par exemple).

Dolby B NR assure une compatibilité optimale avec les magnétophones de type plus ancien, les magnétophones portables et les lecteurs de cassettes stéréo de voitures. Le circuit Dolby B NR doit aussi être utilisé pour passer la plupart des cassettes de musique pré-enregistrées. Chaque circuit Dolby NR est actif aussi bien pendant l'enregistrement que pendant la lecture. Ainsi, une bande enregistrée sous Dolby C NR doit être lue sous

pour pouvoir bénéficier des avantages du circuit. De la même façon, si le circuit Dolby B NR a été utilisé pour l'enregistrement, il doit aussi l'être pour la lecture.

Pour éviter toute confusion, il est conseillé de repérer chaque cassette avec un B ou un C au moment de son enregistrement, pour indiquer le type d'atténuation de bruit utilisé.

NOTA : Après toute mise hors tension de l'appareil, les circuits Dolby NR sont coupés. Veiller à bien régler le mode Dolby NR requis après avoir remis l'appareil sous tension.

A cause de l'effet de surcompensation des signaux audio hautes fréquences, la sensibilité de la bande change constamment au fil des enregistrements. L'extension de l'échappée musicale Dolby HX Pro est un système qui compense ces fluctuations indésirables pendant l'enregistrement. Il ne fonctionne pas pendant la lecture, et les cassettes enregistrées avec Dolby HX Pro peuvent donc être écoutées sur des platines non équipées de ce système.

NOTA: Le système Dolby HX Pro fonctionne indépendamment des fonctions Dolby B et C NR, et n'est actif que pendant l'enregistrement.

COMMANDE DE CORRECTION [BIAS]

Le fait d'apparier la correction de la platine avec celle de la bande est particulièrement important lorsque l'on utilise l'atténuation de bruit Dolby NR, car tout écart par rapport à une réponse de fréquence plate sera amplifié par le circuit Dolby NR pendant la lecture, ce qui produira une sonorité trop éclatante ou trop émoussée. La commande de "Correction" (14) permet de compenser les écarts entre bandes de marques différentes. La méthode à suivre pour un réglage précis de la correction est la suivante :

1. Charger une bande vierge dans l'appareil et appuyer sur avance rapide pendant quelques secondes, afin d'aller au delà de l'amorce non enregistrable de la cassette.
2. Régler la commande d'"Alignement de lecture" [Play Trim] (15) sur sa position neutre "0" (position centrale indiquée par un cran), puis appuyer sur le bouton "Filtre Multiplexeur" [Multiplex Filter] (18) pour activer le filtre (indiqué sur l'affichage).
3. Appuyer sur le bouton "Dolby NR" (17), pour sélectionner "C".
4. Régler la commande de "Correction" [Bias] en position "0" (position centrale indiquée par un cran).
5. Appuyer sur le bouton de "Remise à Zéro" [Reset] (11) puis enregistrer un bref échantillon de musique à un niveau crête d'environ -8 dB.
6. Rembobiner la bande jusqu'à 0000 environ.

7. Ecouter l'échantillon de musique et évaluer son équilibre total par rapport à l'original.

8. Si l'enregistrement donne une sonorité plus émoussée que l'original, baisser le niveau de la Correction (tourner le bouton en sens anti-horaire) de manière à booster les aigus (moins de correction). Si les hautes fréquences sont exagérées sur l'enregistrement, augmenter le niveau de la Correction (tourner le bouton en sens horaire) de manière à atténuer la réponse des aigus (augmentation de la correction).

9. Pour tester le nouveau réglage de la correction fine, faire un autre essai court et vérifier le résultat obtenu. Affiner le réglage si nécessaire.

NOTES

- La commande de Correction n'affecte que l'enregistrement des bandes. Elle ne permet pas de modifier la qualité sonore des bandes une fois qu'elles ont été enregistrées.

- Dans la mesure du possible, les bandes utilisées devront toujours être de la même marque et de la même qualité, afin d'obtenir les performances les plus satisfaisantes et les plus homogènes de la platine. Régler la commande de Correction pour qu'elle corresponde exactement au type de bande adopté.

NIVEAU D'ENREGISTREMENT

Les deux barres horizontales segmentées affichent le niveau de crête du signal source sur chaque voie. Régler le niveau d'enregistrement en le diminuant (sens anti-horaire) ou en l'augmentant (sens horaire) en fonction du niveau affiché. Il existe plusieurs types de bandes magnétiques (normal (I), CrO2 (II) et Métal (IV)), et chaque type a ses propres caractéristiques particulières comme le niveau de saturation par exemple. La NAD 613 détecte automatiquement quel type de bande est utilisé, et adapte ses réglages de la manière appropriée. Un niveau d'enregistrement trop faible entraînera un sifflement excessif sur la bande, alors qu'un enregistrement trop fort provoquera des distorsions. La procédure standard consiste à régler le niveau d'enregistrement pour que la partie la plus forte de la musique soit juste en dessous de la limite maximale, puis à s'en tenir là. Les segments rouges (jusqu'à +4 dB) indiquent un niveau d'enregistrement maximum recommandé pour les sons soutenus (une voix qui chante, ou un accord orchestral, par exemple). Pour la musique couvrant une très large gamme de niveaux sonores, cela peut vouloir dire que les parties douces de la musique seront enregistrées à un niveau de -20 dB ou moins encore (aucun segment allumé). Ceci est normal.

La commande de BALANCE (13) permet de modifier l'équilibre entre la voie droite et la voie gauche d'un enregistrement. Lorsque cette commande est en butée anti-horaire, seule la voie gauche est enregistrée, et lorsqu'elle est en butée horaire, seule la voie droite est enregistrée. Pour une utilisation normale, la commande doit être en position centrale, dans son cran, pour enregistrer les deux voies au même niveau sonore.

Pour effacer une bande sans faire de nouvel enregistrement, suivre la procédure décrite ci-dessus, mais régler la commande NIVEAU D'ENREGISTREMENT

[RECORD LEVEL] (12) en butée anti-horaire. Aucun segment de niveau d'enregistrement ne s'allumera.

PREVENTION DES EFFACEMENTS ACCIDENTELS

Lors de la création d'un nouvel enregistrement sur une bande déjà enregistrée, les anciens enregistrements sont effacés automatiquement. Si l'on souhaite protéger une cassette de tout effacement accidentel par ré-enregistrement, il suffit de couper les pattes de protection de la cassette. De cette manière, la fonction d'enregistrement ne pourra pas s'armer. Il est à noter que la plupart des cassettes pré-enregistrées vendues dans le commerce ont déjà eu leurs pattes coupées. En collant du ruban adhésif sur les orifices laissés par les pattes coupées, on permet aux circuits d'enregistrer à nouveau.

Les cassettes CrO2 (type II) et Métal (type IV) ont des trous supplémentaires dans leur boîtier, permettant ainsi à la platine de "reconnaître" les différents types de bandes magnétiques. Faire bien attention de ne pas recouvrir aussi ces trous là ! Se reporter à la figure 3.

COMMANDE ALIGNEMENT DE LECTURE [PLAY TRIM]

Régler la commande "Alignement de lecture" [PLAY TRIM] en position "0" (encoche centrale) pour une lecture normale.

Il y a souvent des erreurs dans la réponse de haute fréquence pour les enregistrements sur cassette, surtout lorsque l'enregistrement est réalisé sur une machine, et que la lecture se fait sur une autre. Ces erreurs sont dues à une saturation de la bande (surtout sur les bandes enregistrées sur une platine sans HX Pro), du fait d'un alignement qui ne correspondait pas à la bande lors de l'enregistrement, et du fait des différences d'égalisation et d'alignement des têtes entre machines différentes.

Ces erreurs entraînent un mauvais suivi des circuits Dolby NR, ce qui provoque une "amplification" des défauts et un son souvent émoussé.

L'Alignement de Lecture [Play Trim] est un circuit d'égalisation hautes fréquences spécialement destiné à la lecture, qui rétablit une réponse précise en lecture avant le décodage Dolby NR. L'égalisation de lecture standard, pour les cassettes correctement enregistrées, est assurée lorsque la commande Alignement de lecture [Play Trim] est au milieu de sa plage de réglage, à l'endroit où l'on sent un cran.

Lors de la lecture des bandes, régler le sélecteur DOLBY NR pour correspondre à la bande enregistrée. Si l'enregistrement paraît émoussé, augmenter le réglage du bouton Alignement de Lecture [Play Trim] (sens horaire) pour rétablir des fréquences élevées précises. Si l'enregistrement semble sec ou sifflant, diminuer le réglage du bouton Alignement de Lecture [Play Trim] (sens anti-horaire) pour obtenir des aigus plus lisses.

NOTA : La commande Alignement de Lecture [Play Trim] n'affecte que la lecture. Elle ne fonctionne pas lors de l'enregistrement.

ENTRETIEN

Les roulements et les autres pièces en mouvement ont été traités avec des lubrifiants spéciaux, et ne nécessitent donc aucune attention particulière.

Les saletés, la poussière et l'oxyde des bandes sont susceptibles de détériorer les têtes et le dispositif d'entraînement, en plus d'une détérioration de la qualité sonore de lecture comme d'enregistrement. Les pièces en contact direct avec la bande doivent donc être nettoyées régulièrement.

NOTA : S'assurer que le récepteur ou l'amplificateur est hors tension avant de nettoyer ou de démagnétiser les têtes.

NETTOYAGE

Ouvrir la porte du compartiment cassettes. En bas du compartiment, on aperçoit les têtes et le dispositif d'entraînement (cabestan et contre-rouleau). Se reporter à la Figure 4.

Nettoyer les têtes (A et B) et le cabestan (C) avec des cotons tiges imbibés d'alcool pur ou d'un Solvant de Nettoyage pour Magnétophones.

Nettoyer le contre-rouleau (D) avec de l'eau distillée, à l'exclusion de tout autre liquide. Ne jamais utiliser d'alcool sur le contre-rouleau, sous peine d'assécher le caoutchouc.

On peut aussi se servir d'une cassette de nettoyage spéciale. Faire attention d'utiliser une cassette qui nettoie toutes les pièces indiquées à la figure 3.

DEMAGNETISATION

Les pièces en contact direct avec la bande finissent par se magnétiser légèrement. Ce magnétisme augmente le sifflement aussi bien à la lecture qu'à l'enregistrement.

Il est donc conseillé de démagnétiser les têtes, le contre-rouleau et les autres pièces métalliques du dispositif d'entraînement de la bande, de temps à autre, à l'aide d'un démagnétiseur ou d'une cassette de démagnétisation. Suivre les instructions du démagnétiseur ou de la cassette de démagnétisation.

ATTENTION

Garder les démagnétiseurs bien à l'écart des bandes, car ils peuvent effacer les enregistrements. Votre fournisseur habituel pourra vous conseiller et vous indiquer les accessoires qu'il vous faut pour le nettoyage et la démagnétisation.

"Dolby", "Dolby NR", le symbole double-D et HX Pro sont des marques déposées de la société Dolby NR Licensing Corporation.

HX Pro a été créé, à l'origine, par Bang & Olufsen.

Le système Dolby Noise Reduction et le système d'extension de l'échappée musicale HX Pro sont fabriqués sous licence de la Dolby Laboratories Licensing Corporation.

Le système PLAY TRIM (Alignement de Bande) a été développé par NAD et Dolby NR Laboratories Inc.

Dolby NR est une marque déposée de Dolby NR Laboratories Inc.

HINWEISE ZUM AUFSTELLEN

Der Cassettenrecorder kann auf jeder festen ebenen Fläche, die keinen Schwingungen bzw. starken magnetischen Feldern ausgesetzt ist, aufgestellt werden. Das Gerät sollte nicht unmittelbar auf einen Lautsprecher, ein Fernsehgerät oder einen großen Leistungsverstärker gestellt werden, da der Netztransformator des Verstärkers hörbares Brummen erzeugen kann. Soll der Cassettenrecorder neben dem Verstärker auf dem gleichen Regal stehen, stellen Sie den Cassettenrecorder auf die linke Seite, damit das Cassettenfach nicht unmittelbar neben dem Verstärker liegt.

WARNUNG! BEVOR SIE DAS GERÄT DEAS ERSTE MAL AN DAS STRIOMNETZ ANSCHLIESSEN, BITTE NACHSTEHENDE ANWEISUNGEN SORGFÄLTIG DURCHLESEN.

Einige Modelle sind nur für die Versorgungsspannung des Landes, in dem sie verkauft werden, ausgelegt.

Modelle für Europa: AC 230V, 50Hz

Modelle für die USA und Kanada: AC120V, 60Hz

VORSICHTSMASSNAHMEN

Zur optimalen Leistung des Cassettenrecorders NAD 613 über einen langen Zeitraum bitte folgende Vorsichtsmaßnahmen treffen:

DER CASSETTENRECORDER

A. Die Tonköpfe und den Transportmechanismus regelmäßig reinigen. Siehe Seite 20.

B. Die Tonköpfe sowie die Bandführungen für beide Cassettentransporte von Zeit zu Zeit entmagnetisieren. Siehe Seite 20.

C. Lager und andere bewegliche Teile wurden mit Spezienschmiermittel behandelt und sind wartungsfrei. Zusätzliche Schmierung kann u.U. zu Störungen führen.

D. Den Cassettenrecorder bitte nicht in der Nähe von Geräten mit starken Magnetfeldern wie beispielsweise Lautsprecher oder Fernsehgeräte usw. aufstellen.

E. Den Cassettenrecorder auf einer festen ebenen Fläche aufstellen.

F. Das Eindringen von Schmutz, Staub, Sand usw. in den Cassettenrecorder vermeiden.

G. Den Cassettenrecorder nicht in der Nähe von Sendern aufstellen; sie können hohe Frequenzen erzeugen, die u.U. zu Störungen des Recorders führen.

H. Bitte achten Sie darauf, daß das Cassettenfach geschlossen ist, wenn das Gerät nicht in Gebrauch ist. Das Fach nur zum Einlegen bzw. Herausnehmen einer Cassette oder zur Reinigung der Tonköpfe und Bandführungen öffnen.

I. Den Cassettenrecorder nicht unmittelbar auf einen (Leistungs-)Verstärker oder Receiver stellen. Der Recorder kann u.U. ein Netzsummen von dem Stromtransformator des Verstärkers aufnehmen. Einige Verstärker erzeugen außerdem beträchtliche

Wärme - auch wenn sie nur auf Bereitschaft geschaltet sind.

DIE CASSETTENBÄNDER

A. Die Cassettenbänder in den dafür vorgesehenen Etuis staubdicht aufbewahren. Die Cassettenbänder vor Sonneneinwirkung und Wärme schützen.

B. Verwenden Sie stets Cassettenbänder von guter Qualität. Abgesehen von mittelmäßiger Tonqualität können Cassettenbänder schlechter Qualität u.U. übermäßigen Verschleiß der Tonköpfe verursachen.

C. Das freiliegende Band niemals berühren bzw. aus dem Cassettengehäuse entfernen.

D. Die meisten Cassettenbänder haben am Anfang und am Ende ein Vorspannband von circa fünf bis acht Sekunden. Da sich das Vorspannband nicht für Aufnahmen eignet, achten Sie bitte darauf, daß Sie erst nach Ablauf des Vorspannbandes mit der Aufnahme beginnen.

ANSCHLÜSSE UND BEDIENELEMENTE AUF DER RÜCKSEITE

Die im Text erwähnten Ziffern beziehen sich auf die Anschlüsse in der Abbildung "ANSCHLÜSSE AUF DER RÜCKSEITE"

Dieser Cassettenrecorder eignet sich für fast alle Vorverstärker, eingebaute Verstärker oder Receiver. Stellen Sie sicher, daß alle Stecker fest eingesteckt sind und daß die Aufnahme- und Wiedergabekabel ordnungsgemäß angeschlossen sind.

1. INPUT (Eingang)

Ein Kabel an die LINE IN-Buchsen an der Rückseite des Cassettenrecorders und an die Buchsen TAPE OUT bzw. REC(OUT) des Verstärkers anschließen. Den linken Kanal des Cassettenrecorders an den linken Kanal des Verstärkers und den rechten Kanal des Cassettenrecorders an den rechten Kanal des Verstärkers anschließen.

Normalerweise wird der rote Stecker für den rechten Kanal und der schwarze bzw. weiße Stecker für den linken Kanal benutzt. Siehe Abbildung 1.

2. OUTPUT (Ausgang)

Mit einem Kabel die LINE OUT-Buchse an der Rückseite des Cassettenrecorders an die Buchsen TAPE IN, PLAY oder MONITOR des Verstärkers anschließen. Den linken Kanal des Cassettenrecorders an den linken Kanal des Verstärkers und den rechten Kanal des Cassettenrecorders an den rechten Kanal des Verstärkers anschließen. Normalerweise wird der rote Stecker für den rechten Kanal und der schwarze bzw. weiße Stecker für den linken Kanal benutzt. Siehe Abbildung 1.



3. NAD LINK (NAD-Verbindung)

Über den Anschluß "NAD Link IN" kann der NAD 613 über externe Fernsteuersignale von einer anderen mit NAD Link ausgestatteten NAD-Fernbedienung, z.B. AV 716 Receiver, betrieben werden. Mit der NAD-Link-Einrichtung lassen sich die Verbindungen von einem Gerät zum anderen durchschalten. Viele NAD-Receiver und AV-Komponenten werden serienmäßig mit einer NAD-Fernbedienung geliefert; diese Fernbedienung ist mit Tasten für die gebräuchlichsten Cassettenbandtransportfunktionen (PLAY (Wiedergabe), RECORD (Aufnahme), FAST FORWARD (Schnellvorlauf), REWIND (Rückspulen), STOP, usw.) ausgestattet. Wir empfehlen, den NAD 613 als erstes Gerät dem Master-Gerät, normalerweise dem Receiver, nachzuschalten. Mit einem Kabel die Buchse LINK OUT des Master-Geräts (z.B. AV 716) an die Buchse NAD LINK IN am NAD 613 anschließen.

4. POWER (Netzstrom)

Das Netzkabel in eine Wandsteckdose bzw. einen Wechselstromausgang an der Rückseite des Verstärkers oder des Receivers stecken.

BEDIENLEISTE

Die Ziffern im Text beziehen sich auf die Regler in der Abbildung "BEDIENELEMENTE DER BEDIENLEISTE".

1. POWER (Netzschalter)

Über diesen Drucktaster wird der Cassettenrecorder eingeschaltet. Die Anzeige leuchtet und Pausensymbol "||" blinkt drei Sekunden lang; während dieser Zeit spricht der Recorder auf keine Befehle an. Zum Ausschalten des Stroms die POWER-Taste wiederum drücken und loslassen. Vor dem Ausschalten des Recorders immer die STOP-Taste drücken.

2. PHONES (Kopfhörer)

Einen Kopfhörer mit einer 6,5mm Buchse hier anschließen. Während der Aufnahme bzw. Wiedergabe eines Bandes läßt sich der Ton über die Kopfhörer mit festem Pegel abhören.

3. OPEN (Öffnen)

Durch Drücken dieser Taste öffnet sich das danebenliegende Cassettenfach, damit die Cassette eingelegt bzw. entnommen werden kann. Während der Wiedergabe bzw. Aufnahme läßt sich dieses Fach nicht öffnen.

4. CASSETTENFACH

Das Cassettenband wird in dieses Fach eingelegt. Das Fach mit der Taste OPEN öffnen. Das Fach läßt sich durch sanften Druck schließen und rastet hörbar ein.

5 STOP

Mit dieser Taste werden alle Cassetten-bandtransportfunktionen wie beispielsweise Wiedergabe, Aufnahme, Schnellvorlauf und Rückspulen unterbrochen. Auch der Aufnahme- und der Wiedergabepausebetrieb werden mit dieser Taste ausgeschaltet.

6. PLAY (Wiedergabe)

Über diese Taste die Wiedergabe eines Cassettenbandes starten. In der Anzeige leuchtet das Wiedergabe-Symbol ►.

- Das Cassettenband aus dem Etui nehmen. Vor dem Einlegen des Cassettenbandes sicherstellen, daß das Band, dort wo es am breiten Ende der Cassette freiliegt, gerade und straff ist.

Hinweis: Ggf. einen Bleistift in die Nabe einführen und die Bandspule so lange drehen, bis das Band straff sitzt.

- Das Gerät durch Drücken der Taste POWER (1) einschalten. Nach Gebrauch wird diese Taste erneut gedrückt, um das Gerät auszuschalten.

- Das Cassettenfach durch Drücken der Taste OPEN (3) öffnen und das Band mit der breiten Seite (wo das Band freiliegt) nach unten einlegen. Das Cassettenband liegt in einer Führung in der Fachklappe. Siehe Abbildung 2.

- Das Cassettenfach zudrücken, bis es hörbar einrastet. Jetzt ist das Band in Position.

- Durch Drücken der Taste OPEN (3) das Fach wieder öffnen und das Cassettenband entnehmen.

Bei laufendem Band funktioniert diese Taste nicht.

- Durch Drücken der Taste RESET (11) den Bandzähler (in der Anzeige) auf "0000" rücksetzen.

- Die für das Cassettenband geeignete DOLBY NR-Einstellung wählen (17) (Dolby NR Aus, Dolby B NR oder Dolby C NR). Weitere Informationen entnehmen Sie bitte dem Kapitel "Leistungsoptimierung des Cassettenrecorders NAD 613", Abschnitt "Dolby NR Rauschunterdrückungssysteme B und C".

- Durch Drücken der Taste PLAY (6) den Bandtransport starten. Wiedergabe wird durch Leuchten des Wiedergabe-Symbols ►" angezeigt.

- Hört sich die Aufnahme stumpf an, den Regler PLAY TRIM (15) heraufregeln (nach rechts im Uhrzeigersinn drehen), um die richtige Höhe wiederherzustellen. Hört sich die Aufnahme schrill oder zischend an, den Regler PLAY TRIM herunterregeln, um glattere Hochtöne zu erzielen. Weitere Informationen entnehmen Sie bitte dem Kapitel "Leistungsoptimierung des Cassettenrecorders NAD 613", Abschnitt "Die PLAY TRIM-Regelung".

- Durch Drücken der Taste STOP (5) die Wiedergabe beenden.

7. PAUSE

Mit dieser Taste können Sie die Wiedergabe bzw. die Aufnahme kurz unterbrechen. Durch Drücken der Taste PLAY die Wiedergabe bzw. die Aufnahme wieder aufnehmen. Zur Anzeige des Bandpausenbetriebs leuchtet das Pausen-Symbol

“I I” in der Anzeige. Durch erneutes Drücken der Taste PLAY die Wiedergabe bzw. die Aufnahme fortsetzen.

8. RÜCKSPULEN ◀◀

Mit der Funktion ◀◀ lässt sich das Band von rechts nach links zurückspulen. Bei Erreichen des Bandanfangs bzw. wenn das Band bei eingeschalteter Wiederholblockfunktion (REPEAT) den Blockanfang erreicht hat (siehe auch Abschnitt “Wiederholung” (16) in diesem Kapitel), wird die Rückspulfunktion automatisch gestoppt. Mit der Taste STOP können Sie den Rückspulvorgang unterbrechen.

9. FAST FORWARD ▶▶ (Schnellvorlauf)

Mit der Funktion ▶▶ lässt sich das Band von links nach rechts vorspulen. Bei Erreichen des Bandendes wird die Funktion Schnellvorlauf automatisch gestoppt. Mit der Taste STOP wird der Schnellvorlauf von Hand gestoppt.

10. RECORD (Aufnahme)

Wird diese Taste zusammen mit der Taste PLAY oder PAUSE gedrückt, werden die Aufnahmeschaltungen aktiviert; das Symbol RECORD und entweder das Symbol PLAY oder PAUSE leuchten in der Anzeige. Durch gleichzeitiges Drücken der Tasten PLAY und RECORD beginnt die Aufnahme sofort; durch gleichzeitiges Drücken der Tasten PAUSE und RECORD werden lediglich die Aufnahmeschaltungen aktiviert. Durch anschließendes Drücken der Taste PLAY beginnt die Aufnahme. Zur Anzeige des Aufnahmezustand leuchten nun die Aufnahme-Meldelampe und das Wiedergabe-Symbol in der Anzeige.

- Eine Cassette gemäß der Beschreibung in Abschnitt “Wiedergabe” oben einlegen.

- Den DOLBY NR-Wähler (17) auf das gewünschte Rauschunterdrückungssystem einstellen (keine Rauschunterdrückung, OFF (Aus), B oder C). Während der Aufnahme bitte keine Änderungen an der DOLBY NR-Einstellung vornehmen. Für weitere Informationen siehe Kapitel “Leistungsoptimierung des Cassettenrecorders NAD 613”, Abschnitt “DOLBY NR-Rauschunterdrückungssysteme B & C”.

- Gleichzeitig die Tasten RECORD (10) und PAUSE (7) drücken; in der Anzeige leuchten die rote Meldelampe und das Pause-Symbol.

- Die Aufnahmelautstärke mit dem Drehknopf RECORD LEVEL (12) und dem Balanceregler BALANCE (13) einstellen.

Für weitere Informationen siehe Kapitel “Leistungsoptimierung des Cassettenrecorders NAD 613”, Abschnitt “Aufnahmepegel”.

- Die Aufnahme durch Drücken der Taste PLAY (6) starten.

- Durch Drücken der Taste PAUSE (7) können Sie die Aufnahme unterbrechen; Aufnahmeschaltungen und Anzeige bleiben jedoch aktiv. Wenn Sie mit der Aufnahme fortfahren möchten, die Taste PLAY (6) drücken. Diese Einrichtung ist bei Aufnahmen von

Radio- bzw. Fernsehsendungen nützlich, um Ansagen oder Werbespots von der Aufnahme auszuschließen.

- Mit der Taste STOP (5) die Aufnahme stoppen.

(Hinweis: Die Funktion PLAY TRIM bleibt während der Aufnahme ohne Wirkung).

11. RESET (Rücksetzen)

Mit dieser Taste wird der Bandzähler auf “0000” zurückgesetzt. Der Zähler lässt sich an jeder beliebigen Stelle während der Wiedergabe eines Bandes rücksetzen, um eine bestimmte Stelle auf dem Band zu kennzeichnen. Auch nach dem Ausschalten des Recorders wird der Zähler auf 0000 rückgesetzt.

12. RECORD LEVEL (AUFNAHMEPEGEL)

Über diesen Regler lässt sich die Lautstärke für beide Kanäle regeln. Die beiden horizontalen Säulen in der Anzeige zeigen die genaue Lautstärke während der Aufnahme an. Die Säulen werden auch bei der Wiedergabe angezeigt. Diese Aufnahmepegelmesser sind mit einer “Peak Hold”-Anzeige ausgestattet, die zur akkuraten Einstellung den höchsten Pegel eine Sekunde lang anzeigt, auch wenn der Spitzenpegel nur den Bruchteil einer Sekunde dauerte. Für weitere Informationen siehe Kapitel “Leistungsoptimierung des Cassettenrecorders NAD 613”, Abschnitt “Aufnahmepegel”.

13. BALANCE

Mit diesem Regler lässt sich die Aufnahme-Balance zwischen linkem und rechtem Kanal einstellen. Normalerweise steht dieser Regler in der Mittelstellung (12-Uhr-Position). Für weitere Informationen siehe Kapitel “Leistungsoptimierung des Cassettenrecorders NAD 613”, Abschnitt “Aufnahmepegel”.

14. BIAS

Mit dem Bias-Regler wird die Recorderelektronik an die Eigenarten spezieller Cassettenbänder angepaßt. Die Höhenwiedergabe wird durch Drehen des Reglers nach rechts (im Uhrzeigersinn) erhöht und durch Drehen des Reglers nach links (entgegen den Uhrzeigersinn) abgesenkt. Normalerweise steht dieser Regler in der Nullstellung (in der Mitte eingerastet). Für weitere Informationen siehe Kapitel “Leistungsoptimierung des Cassettenrecorders NAD 613”, Abschnitt “Bias-Regelung”.

15. PLAY TRIM

Play Trim ist eine besondere Wiedergabe-Entzerrungsschaltung, die die genaue Wiedergabe von bespielten, alten und abgenutzten Bändern, auf anderen Cassettenrecordern aufgenommenen Bändern, mangelhaft aufgenommenen Bändern (mit zu viel bzw. zu wenig Bias) wiederherstellt. Mit diesem Regler lassen sich die Schaltungen des Cassettenrecorders auf richtige Dolby NR-Aufschaltung zum Ausgleich der Höhenverluste einstellen.



Für weitere Informationen siehe Kapitel "Leistungsoptimierung des Cassettenrecorders NAD 613", Abschnitt "Die PLAY TRIM-Regelung".

16. REPEAT (Wiederholen)

Der NAD 613 Recorder ist mit zwei Wiederholungsfunktionen ausgestattet: das fünfmalige Wiederholen der ganzen Seite eines Bandes bzw. Wiederholen eines vorgewählten Blocks. Die Taste REPEAT läuft durch drei verschiedene Einstellungen: OFF fi FULL fi BLOCK fi OFF fi FULL usw. (in der Anzeige angezeigt). Durch Anwahl von FULL (entweder aus der Ruhestellung oder während der Wiedergabe) das gesamte Band wiederholen.

Zur Wiederholung des vorgewählten Blocks:

- Durch zweimaliges Drücken der Taste REPEAT BLOCK anwählen. In der Anzeige leuchtet BLOCK.
- Zum Starten der Wiedergabe die Taste PLAY (6) drücken. Nun blinkt BLOCK in der Anzeige.
- Durch erneutes Drücken der Taste PLAY den Anfang des Blocks kennzeichnen. Durch erneutes Drücken der Taste PLAY kann der Anfang des Blocks geändert werden. In der Anzeige blinkt weiterhin BLOCK.
- Nachdem Sie das Ende des Blocks, den Sie wiederholen möchten, erreicht haben, die Taste REWIND ◀ (8) drücken. Die BLOCK-Anzeige schaltet auf Dauerlicht und leuchtet so lange, bis der vorgewählte Block fünfmal wiederholt wurde, oder bis die Taste STOP gedrückt wird.

17. DOLBY NR

Die Dolby NR Rauschunterdrückungssysteme wurden zur Unterdrückung von Bandrauschen entwickelt. Die Wahl des Dolby NR-Systems sowie die Art (B oder C) erscheint in der Anzeige. Mit der Taste können Sie durch die verschiedenen Einstellungen laufen: OFF (Aus) B C OFF (Aus) B usw. (erscheint in der Anzeige). Vor der Wiedergabe eines Bandes die Dolby NR-Position wählen, in der die Aufnahme ursprünglich erfolgte. Vor der Aufnahme die Dolby NR-Position wählen, in der Sie das Band aufnehmen möchten. Für weitere Informationen siehe Abschnitt "Die DOLBY NR-Rauschunterdrückungssysteme B & C". Nach dem Ausschalten des Recorders schaltet Dolby NR automatisch auf OFF (Aus).

18. MPX FILTER

Beim Aufnehmen von Radiosendungen wird die Dolby NR-Rauschunterdrückung u.U. durch ein unhörbares Hochfrequenzsignal verzerrt, was zu einem dumpfen Klang bei der Wiedergabe führt. Der MPX-Filter blockiert diese Hochfrequenzsignale (über 15kHz).

Bei solchen Problemen die Taste MPX drücken. In der Anzeige leuchtet MPX FILTER. Wenn Sie keine Radiosendungen aufnehmen, ist Anwahl des MPX-Filters nicht erforderlich.

19. ANZEIGE.

Die verschiedenen Funktionen des Cassettenrecorders werden in der Anzeige dargestellt: Aufnahme, Wiedergabe, Pause, Dolby NR AUS/B/C, Wiederholen AUS/GANZ/BLOCK, Aufnahmepegel, Bandzähler.

LEISTUNGSOPTIMIERUNG DES CASSETTENRECORDERS NAD 613

Die Ziffern im Text beziehen sich auf die Bedienelemente in der Abbildung "BEDIENLEISTE", soweit nicht anders angegeben.

DIE DOLBY NR-RAUSCHUNTERDRÜCKUNGSSYSTEME B & C

Der Cassettenrecorder ist mit zwei verschiedenen Dolby NR-Rauschunterdrückungssystemen ausgestattet. Dolby C NR bietet die beste Bandrauschunterdrückung; dies ist bei Aufnahmen von "Live"-Musikveranstaltungen bzw. bei Aufnahmen mit einem breiten Lautstärkeumfang (beispielsweise bei Digital-CDs) wichtig. ▶▶

Dolby B NR bietet optimale Kompatibilität mit älteren Tonbandgeräten sowie tragbaren und Auto-Stereocassettenrecordern. Auch bei Wiedergabe der meisten bespielten Musikkassetten ist Dolby B NR zu verwenden.

Jedes Dolby NR-System ist während der Aufnahme und der Wiedergabe aktiv. Wird ein Band also mit Dolby C NR aufgenommen, so muß es auch mit Dolby C NR abgespielt werden, um die Vorteile zu nutzen. Bei Dolby NR-B-Aufnahmen sollte entsprechend auch in Dolby B NR wiedergegeben werden.

Ordnungshalber empfiehlt es sich, jede Cassette bei der Aufnahme mit der verwendeten Rauschunterdrückungsart (B oder C) zu kennzeichnen.

HINWEIS: Nach dem Ausschalten des Gerätes schalten die Dolby NR-Schaltungen automatisch auf AUS. Nach dem Einschalten des Recorders darauf achten, daß Sie wieder die entsprechende Dolby NR-Einstellung wählen.

Aufgrund der Vormagnetisierung durch Hochfrequenztonsignale ändert sich die Bandempfindlichkeit während iner Aufnahme ständig. Das Höhenabstandssystem Dolby HX Pro gleicht diese unerwünschten Schwankungen bei der Aufnahme aus. Bei der wiedergabe funktioniert dieses System nicht; folglich können mit Dolby HX Pro aufgenommene Kassettenbänder auch Cassettenrecordern ohne Höhenabstandssystem abgespielt werden.

HINWEIS: Das system Dolby HX Pro funktioniert unabhängig von dem Dolby-Rauschunterdrückungssystem B und C NR und auf nur während der Aufnahme.

BIAS-REGELUNG

Bei Einsatz des Dolby NR-Rauschunterdrückungssystems ist die Bias-Abstimmung des Cassettenrecorders auf das Band besonders wichtig, da jede nichtlineare Hochfrequenz durch die Dolby NR-Rauschunterdrückungs-Schaltung bei der Wiedergabe verstärkt wird, wobei der Klang besonders hell bzw. dumpf wird. Mit dem Bias-Regler (14) wird die Recorderelektronik an die Eigenarten spezieller Cassettenbänder angepaßt. Zur Bias-Feinregelung bitte folgenden Vorgang durchführen:

1. Das leere Cassettenband einlegen und einige Sekunden lang schnell vorwärts laufen lassen, um das Vorspannband zu überspringen.
2. Den Regler PLAY TRIM (15) auf "0" stellen (die eingerastete Mittelstellung) und den Filter (erscheint in der Anzeige) durch Drücken der Taste "Multiplex Filter" (18) einschalten.
3. Den Schalter DOLBY NR (17) drücken und "C" (10) wählen.
4. Den Regler BIAS (14) auf "0" stellen (in die eingerastete Mittelstellung).
5. Die Taste RESET (11) drücken und eine kurze Musikprobe mit Spitzenpegel von circa -8dB aufnehmen.
6. Das Band ungefähr auf 0000 zurückspulen.
7. Die Passage abspielen und die Tonbalance mit dem Original vergleichen.
8. Wenn sich die Aufnahme dumpfer als das Original anhört, den BIAS HERABregeln (nach links entgegen den Uhrzeigersinn drehen), um die Pegelspitzen zu verstärken (Bias senken). Sind die Spitzenwerte in der Aufnahme überhöht, die Einstellung HERAUFregeln (nach rechts im Uhrzeigersinn drehen), um die Höhenwiedergabe abzuschwächen (Bias erhöhen).
9. Zur Überprüfung der neuen BIAS-Einstellung erneut eine kurze Probeaufnahme machen und das Ergebnis überprüfen. Gegebenenfalls nachregeln.

HINWEISE

- Die Bias-Regelung wirkt nur während der Aufnahme auf die Bänder. Nach der Aufnahme läßt sich die Qualität der Bänder durch diese Funktion nicht verbessern.
- Für die optimale Leistung des Cassettenrecorders empfehlen wir, daß Sie immer Cassettenbänder der gleichen Marke und Qualität verwenden. Die Bias-Regelung auf das bestimmte Cassettenband einstellen.

AUFNAHMEPEGEL

Die Spitzenlautstärke des Eingangssignals in jedem Kanal wird über zwei horizontale unterteilte Säulen angezeigt. Die Lautstärke entweder herabregeln (nach links gegen den Uhrzeigersinn) bzw. heraufregeln (nach rechts im Uhrzeigersinn). Es gibt verschiedene Bandsorten - normal (I), CrO2 (II) und Metall (IV), jede hat ihre eigenen spezifischen Merkmale wie beispielsweise Sättigungspegel. Der NAD 613 tastet die verwendete Bandsorte automatisch ab und nimmt die entsprechenden

Einstelländerungen vor. Zu niedrige Aufnahmepegel haben übermäßiges Bandrauschen zur Folge, während zu hohe Aufnahmepegel zu Verzerrungen führen. Normalerweise wird der Aufnahmepegel auf den lautesten Teil der Musik eingestellt und dann werden keine weiteren Einstellungen vorgenommen. Den Regler so einstellen, daß anhaltende Töne, z.B. eine Singstimme oder ein voller Orchesterakkord, die roten Segmente erreichen (bis zu 4dB). Bei stark unterschiedlichen Lautstärken bedeutet dies, daß die leisen Passagen mit einer Lautstärke von -20 dB oder weniger aufgenommen werden (wobei kein Teil der Säulenanzeige leuchtet). Dies ist völlig normal.

Mit dem BALANCE-Regler (13) läßt sich die Links/Rechts-Balance einer Aufnahme ändern. Wird der Regler ganz nach links (entgegen den Uhrzeigersinn) gedreht, so wird nur der linke Kanal aufgenommen; wird der Regler ganz nach rechts (im Uhrzeigersinn) gedreht, wird nur der rechte Kanal aufgenommen. Für den normalen Gebrauch wird der Regler in die eingerastete Mittelstellung gestellt, so daß jeder Kanal mit der gleichen Lautstärke aufgenommen wird.

Möchten Sie ein Cassettenband löschen, ohne eine Neuaufnahme zu machen, drehen Sie den Regler RECORD LEVEL (12) ganz nach links (entgegen den Uhrzeigersinn) und gehen Sie gemäß den oben aufgeführten Anweisungen vor. Hierbei bleiben alle Teile der Säulenanzeige dunkel.

LÖSCHSPERRE

Bei Neuaufnahme werden alle auf dem Cassettenband befindlichen Aufnahmen automatisch gelöscht. Sie können das Band vor einer Löschung bzw. vor einer unbeabsichtigten Neuaufnahme durch Entfernen der Sperrungen an der Cassette schützen. Auf diese Weise wird die Aufnahmefunktion gesperrt. Bei den meisten handelsüblichen bespielten Cassettenbändern sind diese Zungen bereits entfernt. Wenn Sie Klebeband über diese Löcher kleben, ist das Band wieder aufnahmefähig. Siehe Abbildung 3.

Bänder des Typs CrO2 (Typ II) und Metall (Typ IV) haben zusätzliche Löcher im Cassettengehäuse, damit der Cassettenrecorder die verschiedenen Bandsorten erkennen kann. Achten Sie darauf, daß diese Löcher nicht auch zugeklebt werden! Siehe Abbildung 3.

DIE PLAY TRIM-REGELUNG

Für normale Wiedergabe den Regler PLAY TRIM in die eingerastete Mittelstellung "0" stellen.

Bei Cassettenbandaufnahmen treten oft Fehler im Hochfrequenzbereich auf, besonders dann, wenn Bänder auf einem Recorder aufgenommen und auf einem anderen abgespielt werden. Der Grund für diese Fehler ist Bandsättigung - besonders bei Bändern, die auf Recordern ohne HX Pro bespielt werden. Hier stimmte der Bias bei der Aufnahme nicht mit dem Band überein. Andere Gründe wären Entzerrungsunterschiede und Kopfazimut.

Durch diese Fehler entsteht eine Verzerrung der Dolby NR-Schaltungen, wodurch die Fehler wiederum vergrößert werden, was oft einen dumpfen



Klang zur Folge hat.

PLAY TRIM ist eine Hochtongreglung, die genaue Wiedergabe wiederherstellt, bevor die Dolby NR-Decodierung stattfindet. Steht der Regler PLAY TRIM in der eingerasteten Mittelstellung gilt Standard-Hochtongreglung für entsprechend aufgenommene Bänder.

Beim Abspielen von Cassettenbändern den DOLBY NR-Wahlschalter der Bandart entsprechend einstellen. Hört sich die Aufnahme dumpf an, die korrekte Höheneinstellung durch Heraufregeln von PLAY TRIM (nach rechts im Uhrzeigersinn) wiederherstellen. Falls sich die Aufnahme schrill oder zischend anhört, PLAY TRIM herunterregeln, um eine gleichmäßigere Hochtonglage zu erzielen.

HINWEIS: Der Regler PLAY TRIM funktioniert nur im Wiedergabebetrieb und bleibt bei Aufnahmen ohne Wirkung.

WARTUNG

Die Lager und die anderen beweglichen Teile wurden im Werk mit Spezienschmiermitteln behandelt und erfordern keine Sondermaßnahmen.

Schmutz, Staub und Bandoxyd kann u.U. die Tonköpfe und die Bandführung beschädigen und die Tonqualität bei der Wiedergabe und der Aufnahme beeinträchtigen. Bandberührende Teile müssen also regelmäßig gereinigt werden.

HINWEIS: Vor dem Reinigen und vor dem Entmagnetisieren der Tonköpfe den Receiver oder Verstärker ausschalten.

REINIGUNG

Das Cassettenfach öffnen. Unten im Cassettenraum sind die Tonköpfe und die Bandführung (Bandantriebsrolle und Klemmrolle) zu sehen. Siehe Abbildung 4.

Die Tonköpfe (A & B) und die Bandantriebsrolle (C) mit einem Wattestäbchen mit reinem Alkohol oder mit einem speziellen Cassettenrecorder-Reiniger reinigen.

Die Klemmrolle (D) nur mit destilliertem Wasser reinigen. Niemals Alkohol auf der Rolle verwenden, da das Gummi sonst austrocknet. Wahlweise können Sie eine spezielle Reinigungscassette verwenden. Achten Sie darauf, daß Sie eine Cassette verwenden, die alle in Abbildung 3 dargestellten Teile reinigt.

ENTMAGNETISIERUNG

Bandberührende Teile werden nach einiger Zeit magnetisch. Dieser Magnetismus steigert das Rauschen bei der Wiedergabe sowie bei der Aufnahme.

Aus diesem Grunde ist es empfehlenswert, die Tonköpfe, die Klemmrolle und andere Metall-Bandführungsteile regelmäßig mit Hilfe eines Entmagnetisierungsgerätes oder einer Entmagnetisierungs-Cassette zu entmagnetisieren. Befolgen Sie die Anweisungen auf dem Entmagnetisierungsgerät bzw. der Entmagnetisierungs-Cassette.

VORSICHT!

Entmagnetisierungsgeräte sind von bespielten Bändern fernzuhalten; sie können die Aufnahmen unbeabsichtigt löschen.

Ihr Fachhändler berät Sie und liefert sachgerechtes Reinigungs- und Entmagnetisierungszubehör.

"Dolby", "Dolby NR", HX Pro und das DD-Symbol sind eingetragene Warenzeichen der Firma Dolby NR Licensing Corporation.

PLAY TRIM wurde gemeinsam von NAD und Dolby NR Laboratories Inc. entwickelt.

HX Pro entstand bei Bang & Olufsen.

Dolby NR ist ein eingetragenes Warenzeichen der Firma Dolby NR Laboratories Ltd.

Dolby-Rauschunterdrückung und HX Pro-Höhenabstandssystem wurden unter Lizenz von Dolby Laboratories Licensing Corporation hergestellt.

INSTALACION

La grabadora se puede instalar sobre cualquier superficie estable que no esté sujeta a vibración ni a campos magnéticos intensos. No debe colocarse directamente sobre un altavoz, receptor de televisión, ni gran amplificador de potencia en que pueda captar zumbido del transformador de potencia del amplificador. Si usted desea instalar la grabadora cerca de un amplificador en el mismo estante, coloque la grabadora a la izquierda de modo que su compartimento de cassette quede alejado del amplificador.

AVISO: ANTES DE ENCHUFAR EL EQUIPO POR PRIMERA VEE, LEA CUIDADOSAMENTE LA SECCION SIGUIENTE.

Algunos de los modelos se han diseñado para uso únicamente con la tensión de alimentación de la región en que se venden.

Modelo europeos: AV 230V, 50Hz

Modelos estadounidenses:
y canadienses: AC 120V, 60Hz

PRECAUCIONES

Para asegurar que el rendimiento máximo de la pletina de cassettes NAD 613 se mantenga a lo largo del tiempo, rogamos tenga en cuenta las precauciones siguientes:

LA PLETINA

A. Asegure que los cabezales y el portador se limpien periódicamente. Vea la página 25.

B. Desmagnetice de vez en cuando los cabezales y guía de cinta. Vea la página 26.

C. Los cojinetes y demás piezas móviles se han tratado con lubricantes especiales y por lo tanto no necesitan mantenimiento. De hecho la lubricación adicional puede causar mal funcionamiento.

D. No coloque la pletina cerca de equipo que tenga fuertes campos magnéticos, como altavoces o televisiones, etc.

E. Coloque la pletina sobre una superficie sólida y plana.

F. Evite que entre en la pletina suciedad, polvo, arena, etc.

G. Evite colocarla cerca de transmisores: éstos pueden generar altas frecuencias que pueden causar mal funcionamiento de la pletina.

H. Asegure que la tapadera del compartimento de la pletina de cassettes esté cerrada cuando la pletina no se use. Abrala sólo para introducir o sacar una cassette o para limpiar los cabezales y guías de cinta.

I. No coloque la pletina directamente encima de un amplificador (de potencia) o receptor. La pletina puede captar el zumbido proveniente del transformador de potencia del amplificador. Algunos amplificadores pueden generar además bastante cantidad de calor, incluso cuando están desactivados.

CINTAS DE CASSETTE

A. Guarde las cintas de cassette en su estuche, alejadas del polvo. No guarde cintas jamás en lugares que estén bajo la luz directa del sol o que estén muy calientes.

B. Use siempre cintas de cassette de buena calidad. Aparte de los resultados mediocres, la cinta de escasa calidad pueden causar excesivo desgaste de los cabezales.

C. No toque jamás la cinta descubierta misma ni la saque fuera de su caja.

D. En la mayoría de los casos la cinta de cassette tiene un extremo inicial de cinco a ocho segundos tanto al comienzo como al final de la cinta de cassette. Puesto que usted no puede grabar en esta cinta inicial, asegúrese de comenzar a grabar pasada la misma.

CONEXIONES Y CONTROLES DEL PANEL TRASERO

Los números del texto se refieren a las conexiones de la figura "CONEXIONES DEL PANEL TRASERO".

Esta pletina de cassettes se puede conectar a casi todos los preamplificadores, amplificadores integrados o receptores. Asegure que los enchufes estén totalmente insertados y que los cables de grabación y reproducción estén conectados apropiadamente.

1. INPUT (ENTRADA)

Conecte un cable desde los enchufes jack de "LINE IN" (entrada de línea) de la pletina situados en el panel trasero a los enchufes jack de TAPE OUT (salida de cinta) o REC (OUT) (grabadora) de su amplificador. Conecte el canal izquierdo de la pletina con el canal izquierdo del amplificador y conecte el canal derecho de la pletina con el canal derecho del amplificador. Normalmente, el enchufe rojo se usa para el canal derecho, el enchufe negro o blanco para el canal izquierdo. Vea la figura 1.

2. OUTPUT (SALIDA)

Conecte un cable desde los enchufes jack de "LINE OUT" (salida de línea) de la pletina situados en el panel trasero con los enchufes jack TAPE IN (entrada de cinta), PLAY (escucha), o MONITOR de su amplificador. Conecte el canal izquierdo de la pletina con el canal izquierdo del amplificador y conecte el canal derecho de la pletina con el canal derecho del amplificador. Normalmente, el enchufe rojo se usa para el canal derecho, el enchufe negro o blanco para el canal izquierdo. Vea figura 1.

3. CONEXION NAD

El conector "NAD Link IN" (entrada de conexión NAD) permite a la pletina NAD 613 funcionar con señales de control remoto externo que pasan desde otro componente de control remoto NAD que tenga Conexión NAD, por ej. receptor AV 716. La Conexión NAD funciona a manera de "cadena de margarita", yendo las conexiones desde un equipo al siguiente. Muchos receptores NAD y componentes AV se sum-

inistran como equipo normal con un sistema de control remoto NAD que tiene pulsadores para la mayoría de las funciones de portador de cinta (Play, Record (grabación), Fast Forward (adelante rápido), Rewind (rebobinado), Stop (parada), etc.). Recomendamos que la pletina NAD 613 sea el primer equipo en la cadena de margarita después del equipo "principal", usualmente un receptor. Conecte un cable desde la Salida de Conexión del equipo principal (por ej. el AV 716) con el enchufe jack de ENTRADA de Conexión NAD de la pletina 613.

4. ALIMENTACION

Conecte el cable de la red de CA con una toma de pared cómoda o con una toma de CA situada en parte trasera de su amplificador o receptor.

CONTROLES DEL PANEL DELANTERO

Los números del texto se refieren a los controles de la figura "CONTROLES DE PANEL DELANTERO".

1. POWER (ALIMENTACION)

Apriete este pulsador para conectar la alimentación a la pletina de cassettes. Se enciende el visualizador y se pone en intermitente el icono "||" de Pause (pausa) durante tres segundos y mientras dura esto la pletina no responde a ningún mando. Para desconectar la alimentación, apriete otra vez y suelte. Cuando la pletina está conectada, se enciende el visualizador. Apriete siempre STOP antes de desconectar la pletina.

2. AURICULARES

Inserte auriculares estéreo con un enchufe jack de 6,5 mm aquí. Cuando graba o escucha una cinta el sonido puede vigilarse a través de los auriculares a un nivel fijo.

3. OPEN

Cuando se aprieta este pulsador, se abre la puerta del compartimento de cassette cercano al mismo para permitir insertar o sacar una cinta. Durante la reproducción del sonido o la grabación no se puede abrir la puerta.

4. COMPARTIMENTO DE CASSETTES

La cinta de cassette debe insertarse en este compartimento. Use el pulsador "OPEN" para abrir el compartimento. Con un empuje suave, hasta que se oiga un clic, puede cerrarse el compartimento.

5. STOP

Este pulsador para todas las funciones de portador de cinta tales como reproducción de sonido normal y de reverso, grabación, rápido adelante y rebobinado. También desactiva el modo de Record-pause (pausa de grabación) y Play-Pause (pausa de reproducción de sonido).

6. PLAY (ESCUCHA/REPRODUCCION DE SONIDO)

Para escuchar una cinta use este pulsador. Se ilumina en el visualizador el icono ► de Play.

- Para cargar una cinta de cassette, quítela de su estuche. Antes de insertar la cassette, asegure que la cinta esté enderezada y tensa en la parte en que está expuesta en el borde grueso de la cassette.

N.B. Si es necesario, inserte un lápiz en uno de los dos cubos y bobine manualmente el carrete de la cinta hasta que se elimine el aflojamiento.

- Conecte el equipo apretando el interruptor POWER (1) después del uso, el equipo puede desconectarse apretando otra vez este pulsador.

- Apriete el pulsador OPEN (3) para soltar la puerta del compartimento de cassette e inserte la cinta con el borde grueso - en que la cinta está expuesta - hacia abajo. La cinta de cassette se sostiene en un carro situado dentro de la puerta. Vea la figura 2.

- Apriete para cerrarla la puerta del compartimento de cassettes hasta que se oiga un ligero "clic". La cinta está ahora en su posición.

- La cinta se puede quitar otra vez usando el pulsador OPEN (3).

Observe que este pulsador no funciona mientras está en movimiento la cinta.

- Reajuste el contador de la cinta (en el visualizador) a "0000" apretando el pulsador RESET (11) (reajuste).

- Seleccione la posición apropiada DOLBY NR (17) (Dolby NR Off, Dolby B NR o Dolby C NR) conforme a la cinta particular que desee escuchar. Vea el capítulo "Cómo conseguir el mejor rendimiento de su pletina de cassettes NAD 613", sección "Sistema de reducción de ruido Dolby B NR y C" para más información.

- Apriete el pulsador PLAY (6) para activar el portador de cinta. Se ilumina en el visualizador el icono ► de reproducción de sonido para indicar este estado.

- Si la grabación suena oscura, gire arriba (hacia la derecha) el control TRIM (15) para restaurar los altos exactos. Si la grabación suena defectuosa o sibilante, gire hacia abajo Play Trim para obtener agudos más suaves. Vea el capítulo "Cómo conseguir el mejor rendimiento de su pletina de cassettes NAD 613", sección "CONTROL PLAY TRIM" para más información.

- Apriete el pulsador STOP (5) si desea terminar la escucha.

7. PAUSE (PAUSA)

Si desea interrumpir por un momento la escucha o grabación, use este pulsador. Apretando PLAY, puede reanudar la escucha o grabación. En el visualizador se ilumina el icono para Pause "I I|" para indicar el estado de pausa de la cinta. Apriete otra vez Play para reanudar la escucha o grabación.

8. REWIND (REBOBINADO) ◀◀

Con la función ◀◀ puede rebobinar la cinta de derecha a izquierda. El rebobinado rápido se para automáticamente cuando se llega al comienzo de una cinta o si se ha activado el Bloque REPEAT

(repetición) y la cinta ha llegado al comienzo del bloque (vea también la sección "Repeat" (16) de este capítulo), puede parar manualmente el rebobinado usando el pulsador STOP.

9. FAST FORWARD (AVANCE RAPIDO) ►►

Con la función ►► puede usted rebobinar la cinta hacia adelante de izquierda a derecha. El rápido adelante se para automáticamente al llegar al final de una cinta. Usted puede parar manualmente el avance rápido usando el pulsador STOP.

10. RECORD (GRABACION)

Este pulsador, si se aprieta con el pulsador PLAY o el pulsador PAUSE, activa los circuitos de grabación. En el visualizador se ilumina el anunciador "Record" con el icono de Play o Pause. Apretando PLAY en combinación con RECORD, comienza inmediatamente la grabación; apretando PAUSE con RECORD solamente se activan los circuitos de grabación. Apretando luego PLAY comienza la grabación. Ahora se ilumina en el visualizador el anunciador "Record" con el icono de Play para indicar el estado de grabación.

- Inserte una cinta como se describe en la anterior sección "Escucha de una cinta".

- Ponga el selector DOLBY NR (17) conforme al tipo deseado de reducción de ruido (sin reducción de ruido; OFF, B o C). No cambie el ajuste Dolby NR mientras la pletina de cinta está grabando. Vea el capítulo "Cómo conseguir el mejor rendimiento de su pletina de cassettes NAD 613", sección "Sistemas de Reducción de ruido Dolby B NR y C" para información más detallada.

- Apriete el pulsador RECORD (10) junto con el pulsador PAUSE (7); en el visualizador se ilumina el anunciador rojo y el icono de Pause.

- Ajuste el nivel de grabación usando el control rotativo RECORD LEVEL (12) (nivel de grabación) y el control BALANCE (13) (equilibrio).

Vea el capítulo "Cómo conseguir el mejor rendimiento de su pletina de cassettes NAD 613", sección "Nivel de grabación" para más información.

- Comience la grabación apretando el pulsador PLAY (6).

Si desea interrumpir una grabación manteniendo activos los circuitos de grabación y el visualizador, apriete el pulsador PAUSE (7). Cuando esté preparado para reanudar la grabación apriete PLAY (6). Esta técnica es útil para omitir los anuncios o publicidad cuando se graba de la radio o televisión.

- Para parar la grabación, apriete el pulsador STOP (5).

(Nota: Play Trim no tiene efecto durante la grabación).

11. RESET (REAJUSTE)

Apriete este pulsador para reajustar el contador de cinta a "0000". El contador puede reajustarse en cualquier momento mientras está escuchándose una cinta para marcar un lugar particular de la cinta. El contador se reajusta también a 0000 después de que se desconecta la alimentación eléctrica.

12. RECORD LEVEL (NIVEL DE GRABACION)

El nivel de grabación para los dos canales puede controlarse con este control. Las 2 barras horizontales del visualizador le dan a usted una indicación exacta del nivel de grabación durante la grabación. Las barras funcionan también durante la escucha. Estos medidores de nivel de grabación están equipados con un dispositivo automático de "Mantenimiento de Máximos" que visualizan los máximos más altos durante un segundo, incluso aunque el máximo dure sólo una fracción de segundo, para facilitar una lectura exacta. Vea el capítulo "Cómo conseguir el mejor rendimiento de su pletina de cassettes NAD 613", sección "Nivel de grabación" para información más detallada.

13. BALANCE (EQUILIBRIO)

El equilibrio de la grabación entre el canal izquierdo y el derecho puede ajustarse usando este control. Normalmente este control está ajustado en la posición de las 12 horas.

Vea el capítulo "Cómo conseguir el mejor rendimiento de su pletina de cassettes NAD 613", sección "Nivel de grabación" para más información.

14. BIAS (POLARIZACION)

El control de sintonización Bias le permite compensar casi todas las diferencias de marca a marca en sensibilidad de cinta y respuesta de frecuencia. Girando el control a la derecha se disminuyen los agudos (más Bias), girándolo a la izquierda se aumenta la respuesta de agudos (menos Bias). Normalmente este control debe estar colocado en la posición "0" (detente central). Vea el capítulo "Para conseguir el mejor rendimiento de su pletina de cassettes NAD 613", sección "Control Bias" para más información.

15. PLAY TRIM (AJUSTE FINO DE SONIDO)

El Ajuste Fino de Reproducción de Sonido es un circuito de igualación de reproducción de sonido que restablece una respuesta exacta de reproducción de sonido a partir de cintas pregrabadas, viejas o gastadas, cintas grabadas en otra pletina o cintas que no se grabaron apropiadamente (desvío excesivo o escaso). Este control le permite ajustar los circuitos de la pletina de cintas para asegurar un seguimiento de pista Dolby NR apropiado para una respuesta correcta de alta frecuencia.

Vea el capítulo "Para conseguir el mejor rendimiento de su NAD 613", sección "Control Play Trim" para información más detallada.

16. REPEAT (REPETICION)

La pletina NAD 613 está equipada con dos modos de repetición; repetición del lado entero de una cassette o repetición de un bloque preseleccionado 5 veces. El pulsador REPEAT pasa por tres ajustes diferentes: OFF fi FULL (COMPLETO) fi BLOCK (BLOQUE) fi OFF fi FULL, etc. (Que se indican en el visualizador). Seleccione FULL (bien desde parada o durante una escucha) para repetir toda la cassette.

Para repetir un bloque preseleccionado:

- Seleccione BLOCK apretando dos veces REPEAT. Se ilumina en el visualizador BLOCK.
- Apriete el pulsador PLAY (6) para comenzar la escucha. En el visualizador ahora se pone en intermitente BLOCK.
- Apriete otra vez el pulsador PLAY para marcar el comienzo del bloque. Usted puede apretar otra vez PLAY para cambiar el comienzo del bloque. En el visualizador BLOCK continúa en intermitente.
- Cuando haya llegado al final del bloque si desea repetir, apriete el pulsador REWIND ◀◀ (8). El indicador de bloque deja de estar en intermitente y permanece iluminado hasta que se haya repetido cinco veces el bloque preseleccionado o se apriete STOP.

17. DOLBY NR

Los sistema de Reducción de Ruido Dolby NR se han diseñado para reducir el ruido sibilante de las cintas. El visualizador indica si se ha seleccionado Dolby NR y qué tipo (B o C). Este pulsador le permite a usted repasar los diferentes ajustes: OFF (desconectado) B C OFF B, etc. (indicados en el visualizador). Seleccione el mismo tipo de Reducción de Ruido Dolby NR con que la cinta se grabó originalmente para reproducción del sonido. Seleccione la posición Dolby NR con que usted desea hacer la grabación antes de comenzar a grabar. Vea el capítulo "Cómo conseguir el mejor rendimiento de su pletina de cassettes NAD 613", sección "Sistemas de Reducción de Sonido Dolby B NR y C" para más detalles. Dolby NR pasa a OFF después de que se desconecta la pletina de cassettes.

18. MPX (MULTIPLEX) FILTER (FILTRO MPX)

Cuando se graba de algunos sintonizadores una señal de alta frecuencia inaudible puede causar defectuoso seguimiento de pista del circuito de reducción de ruido Dolby NR que produce un sonido oscuro cuando la grabación se escucha. El filtro MPX bloquea estas altas frecuencias (superiores a 15 kHz).

Apriete el pulsador MPX si experimenta estos problemas; en el visualizador se ilumina MPX Filter. Si no graba de la radio usted no necesita seleccionar el filtro MPX.

19. VISUALIZADOR

Se visualizan varias funciones de la pletina de cassettes, como Play, Pause, Dolby NR OFF/B/C/Repeat OFF/FULL/BLOCK, Record Level y Tape Counter.

PARA CONSEGUIR EL MEJOR RENDIMIENTO DE SU PLATAFORMA DE CASSETTES NAD 613

Los números del texto se refieren a los controles de la figura "CONTROLES DEL PANEL DELANTERO" si no se menciona otra cosa.

SISTEMAS DE REDUCCION DE RUIDO DOLBY NR B Y C

La pletina está equipada con dos tipos de reducción de ruido Dolby NR, Dolby C NR provee el mayor silenciamiento del ruido sibilante de la cinta, lo que es importante cuando se graban actuaciones musicales "en directo" o grabaciones con una amplia gama dinámica (Discos Compactos digitales por ejemplo).

Dolby B NR provee óptima compatibilidad con grabadoras de cintas más antiguas, tocacintas portátiles y equipos estéreos de coche. Debe usarse también Dolby B NR para reproducción de sonido de la mayoría de las cassettes de música pregrabada.

Cada sistema Dolby NR está activo tanto durante la grabación como durante la escucha de reproducción de sonido. Así si una cinta está grabada con Dolby C NR, se debe escuchar con Dolby C NR para conseguir el mejor resultado. De modo similar, si se ha usado Dolby B NR durante la grabación, también ha de usarse en la escucha de la misma.

Para evitar confusión, recomendamos que etiquete usted cada cassette con B o C cuando se grabe para indicar el tipo de reducción de ruido que se usa.

NOTA: Después de desconectar, los circuitos Dolby NR cambian automáticamente a Off. Asegúrese de que seleccione el ajuste Dolby NR apropiado otra vez después de conectar de nuevo la pletina de cassettes.

La sensibilidad de la cinta cambia constantemente mientras se hacen las grabaciones debido al efecto de desvío de las señales de audio de alta frecuencia. La extensión elevada del Dolby HX Pro es un sistema que compensa estas fluctuaciones indeseables durante la grabación. No funciona durante la reproducción de sonido, por lo tanto las cassettes grabadas con dolby HX Pro se pueden escuchar en plataformas de cassettes no equipadas con el sistema.

NOTA: Dolby HX Pro funciona independientemente del Dolby B y C NR y sólo durante la grabación.

CONTROL BIAS

La coincidencia del desvío de la grabadora con la cinta es especialmente importante cuando se usa reducción de ruido Dolby NR, porque cualquier separación de la respuesta de alta frecuencia plana se agrandará en el circuito de reducción de ruido Dolby NR durante la escucha, haciendo que el sonido sea excesivamente brillante u oscuro. El control "Bias" (14) le permite a usted compensar las diferencias de marca a marca de cinta. El procedimiento para sintonización fina del desvío es:

1. Cargue una cinta no grabada y acciónela rápido adelante unos segundos para que pase la parte delantera en blanco que hay al comienzo.
2. Ponga el control "Play Trim" (15) en "0" (posición del detente central) y apriete el pulsador "Multiplex Filter" (18) para activar el filtro (se indica en el visualizador).
3. Apriete "Dolby NR" (17) para seleccionar "C".

4. Ajuste el control "Bias" (14) a "0" (posición del detente central).

5. Apriete el pulsador "Reset" (11) y grabe una breve muestra de música a máximo nivel de alrededor de -8 dB.

6. Rebobine la cinta aproximadamente a 0000.

7. Escuche la muestra de música y evalúe su equilibrio total en comparación con el original.

8. Si la grabación suena más oscura que el original, gire el control Bias ABAJO (hacia la izquierda) para reforzar los altos (menos desvío). Si están exageradas en la grabación las altas frecuencias, gire el control ARRIBA (hacia la derecha) para reducir la respuestas de agudos (más desvío).

9. Para probar el nuevo ajuste de desvío, haga otra grabación breve de prueba y compruebe los resultados. Haga una sintonización fina otra vez si es necesario.

NOTAS

- El control Bias afecta a las cintas solamente mientras se hace una grabación. No se puede usar para mejorar la calidad de las cintas después de que se han grabado.

- Recomendamos que use usted consistentemente cintas de calidad de la misma marca y tipo para conseguir el mejor y más consistente rendimiento de la grabadora. Ajuste el control Bias para que coincida con la cinta particular.

NIVEL DE GRABACION

Las dos barras segmentadas horizontales visualizan el nivel máximo de la señal de origen de sonido en cada canal. Ajuste el control de nivel de grabación girándolo abajo (hacia la izquierda) o girándolo arriba (hacia la derecha). Hay varias formulaciones de cintas disponibles - normal (I) CrO2 (II) y Metal (IV), cada una con sus características propias específicas tales como el nivel de saturación. La pletina NAD 613 detecta automáticamente qué tipo de cinta se usa y adapta en consecuencia sus ajustes. Un nivel de grabación demasiado bajo da por resultado excesivo ruido sibilante de la cinta, mientras que un nivel de grabación demasiado alto da por resultado distorsión. El procedimiento normal es ajustar el nivel de grabación para acomodar la parte más alta de la música, y luego dejar los controles sin tocar. Ajuste el control de modo que los sonidos sostenidos, por ej. una voz que canta o un conjunto de cuerda orquestal completo llegue a los segmentos rojos (hasta 4 dB). Con música que abarca una amplia gama de niveles de volumen, esto puede significar que las partes más silenciosas de la música se grabarán a un nivel de -20 dB o menos (sin que se iluminen segmentos). Esto es normal.

El control BALANCE (13) le permitirá cambiar el equilibrio de izquierda/derecha de una grabación. Cuando se gira totalmente a la izquierda, sólo se graba el canal izquierdo, mientras que si se gira totalmente a la derecha se graba el canal derecho sólo. Para uso normal el control se ajusta en el detente central de su gama, grabando cada canal con niveles iguales.

Si desea borrar una cinta, sin hacer una nueva

grabación, siga el procedimiento descrito antes, pero gire el control RECORD LEVEL (12) totalmente a la derecha. No se iluminan segmentos de nivel.

PREVENCION DE BORRADO ACCIDENTAL

Mientras se hace una nueva grabación las grabaciones previas que ya están en la cinta se borran automáticamente. Si desea proteger una cinta contra borrado o grabación accidental, puede quitar las lengüetas de protección de la cinta. De esta manera la función de grabación no puede activarse. Observe que la mayoría de las cintas pregrabadas comercialmente disponibles tienen ya quitadas las lengüetas. Usando cinta adhesiva sobre los orificios se impide que los circuitos graben otra vez.

Las cintas CrO2 (tipo II) y Metal (tipo IV) tienen orificios adicionales en el alojamiento de cassette, que permiten a la pletina de cassettes "reconocer" los varios tipos de cinta. Asegúrese de no cubrir estos orificios también... vea la figura 3.

CONTROL PLAY TRIM

Coloque el control PLAY TRIM en la posición "0" (detente central) para escucha normal.

Ocurren muchas veces errores de respuesta de alta frecuencia en las grabaciones de cassettes, especialmente en cintas que se grabaron en una máquina y se escuchan en otra. Estos errores provienen de la saturación de la cinta - particularmente en las cintas grabadas en pletinas que no tienen HX Pro-, debido al desvío que no coincide con la cinta cuando se hizo la grabación, y por diferencias entre las grabadoras en igualación y azimut de los cabezales.

Estos errores hacen que los circuitos Dolby NR no sigan bien las pistas, lo que a su vez hace que "se agranden" las faltas por los circuitos, muchas veces produciendo un sonido oscuro.

El Play Trim es un circuito especial de igualación de reproducción de sonido de alta frecuencia, que se usa para restaurar la respuesta exacta de la reproducción de sonido antes de que se realice la decodificación Dolby NR. La igualación normal de reproducción de sonido para cintas grabadas correctamente. se provee cuando el control Play Trim está ajustado en el detente del centro de su gama.

Cuando se escuchan cintas, ajuste el selector DOLBY NR para que coincida con la cintas grabada. Si la grabación suena oscura, gire (hacia la derecha) arriba el Play Trim para restaurar los altos exactos. Si la grabación suena defectuosa o sibilantes, gire el Play Trim abajo para obtener altos más suaves.

NOTA: El control Play Trim sólo afecta a la escucha y no funciona mientras se hace una grabación.

MANTENIMIENTO

Los cojinetes y demás piezas móviles se han tratado en fábrica con lubricantes especiales y no necesitan atención especial.

La suciedad, el polvo y el oxido de cinta pueden dañar potencialmente los cabezales y guía de cinta, además de degradar la calidad del sonido tanto en



escucha como en grabación. Las piezas que tienen contacto directo con la cinta necesitan por lo tanto limpiarse periódicamente.

NOTA: Asegure que se desconecte el receptor o el amplificador antes de limpiar o desmagnetizar los cabezales.

LIMPIEZA

Abra la puerta del compartimento de cassettes. En la parte inferior del compartimento puede ver los cabezales y el dispositivo de guía de la cinta (cabrestante y rodillo de toma). Vea la figura 4.

Limpie los cabezales (A y B) y el cabrestante (C) usando copos de algodón con alcohol puro o con especial Limpiador de Grabadora de Cintas.

Limpie el rodillo de toma (D) usando sólo agua destilada. No use alcohol en el rodillo porque la goma se secaría. Como alternativa, puede usar una cassette especial de limpieza. Asegúrese de usar una cassette que limpie todas las piezas que se muestran en la figura 4.

DESMAGNETIZACION

Las piezas que están en contacto directo con la cinta se magnetizan un poco con el tiempo. Este magnetismo aumenta el ruido sibilante tanto durante la escucha como durante la grabación.

Por lo tanto es aconsejable desmagnetizar los cabezales, rodillo de toma y demás piezas metálicas del guía de cinta de vez en cuando, usando un desmagnetizador o una cassette de desmagnetización. Siga las instrucciones del desmagnetizador o cassette de desmagnetización.

AVISO

Mantenga los desmagnetizadores lejos de sus cintas, pueden borrar accidentalmente las grabaciones.

Su distribuidor le podrá asesorar y proveer los accesorios apropiados tanto para limpieza como para desmagnetización.

"Dolby", "Dolby NR", Dolby HX Pro y el símbolo de la doble D son marcas comerciales registradas de la Dolby Laboratories Licensing Corporation.

PLAY TRIM fue diseñado y producido por NAD y Dolby NR Laboratories Inc.

HX Pro es producto original de Bang & Olufsen.

La reducción de Ruido Dolby y la extensión elevada de HX Pro se fabrican bajo licencia de la Dolby Laboratories Licensing Corporation.

Dolby NR es una marca comercial registrada de Dolby Laboratories Ltd.

IL RIPRODUTTORE PER CASSETTE NAD DECK 613



INSTALLAZIONE

Il registratore può essere installato su qualsiasi superficie salda in modo da evitare vibrazioni, assicurandosi che non vi siano mai forti campi magnetici. Non collocarlo direttamente sopra un altoparlante, il televisore o un grande amplificatore per evitare che capti il ronzio dal trasformatore dell'amplificatore. Se si desidera installare il registratore accanto ad un amplificatore sullo stesso piano o scaffale, collocarlo allora sulla sinistra in modo che lo scomparto per le cassette sia ben discosto dall'amplificatore.

AVVISO IMPORTANTE: PRIMA DI COLLEGARE L'APPARECCHIATURA PER LA PRIMA VOLTA, LEGGERE ATTENTAMENTE LA SEZIONE SEGUENTE.

Alcuni modelli sono realizzate per impiego solo con la corrente nel Paese d'asquito.

Modelli europei: AC 230V, 50Hz

Modelli USA e Canada: AC120V, 60Hz.

PRECAUZIONI

Per garantire le prestazioni ottimali del deck per cassette NAD 613 per moltissimi anni Vi preghiamo di tenere presenti le raccomandazioni seguenti:

IL REGISTRATORE A NASTRO (IL "DECK")

A. Assicurarsi che le testine e il meccanismo di comando del nastro vengano puliti ad intervalli regolari. Vi preghiamo di fare riferimento alla pagina 31.

B. Smagnetizzatore di tanto in tanto entrambe le testine e la guida del nastro. Vi preghiamo di fare riferimento alla pagina 32.

C. I cuscinetti e le altre parti mobili sono stati trattati con lubrificanti speciali, pertanto non richiedono alcuna manutenzione. Lubrificandoli si corre il rischio di provocare malfunzionamenti del "deck".

D. Non collocare il registratore accanto ad apparecchiature che emanano forti campi magnetici, quali ad esempio altoparlanti o televisori, ecc.

E. Collocare il registratore su una superficie piana e robusta.

F. Assicurarsi sempre che polvere, sporcizia, sabbia, ecc., non possano contaminare il registratore.

G. Evitarne il collocamento vicino a trasmettitori: possono erogare alte frequenze che causano malfunzionamenti del deck.

H. Assicurarsi che lo sportellino dello scomparto portacassette sia chiuso quando non si impiega il registratore. Aprirlo solo per infilare (o togliere) una cassetta o per effettuare la pulizia periodica delle testine e delle guide del nastro.

I. Non collocare il registratore sopra un amplificatore o un ricevitore. Il registratore può captare il ronzio emanato dal trasformatore dell'amplificatore. Alcuni amplificatori possono inoltre sprigionare parecchio calore, anche se sono in condizione di attesa ("stand-by").

LE CASSETTE

A. Conservare le cassette nell'apposito portacassette e sempre in luogo non impolverato. Non conservare mai cassette esposte direttamente ai raggi solari o in aree molto calde.

B. Utilizzare esclusivamente cassette di marca. Cassette scadenti non solo danno risultati molto mediocri, ma possono causare usura eccessiva delle testine.

C. Non toccare mai il tratto esposto del nastro, né sfilarlo dalla cassetta.

D. La maggior parte delle cassette ha un tratto di nastro protettivo iniziale di circa 5-8 secondi, sia all'inizio sia al termine della cassetta. Dato che non è possibile registrare su questo tratto protettivo, assicurarsi sempre di oltrepassarlo prima di procedere alla registrazione.

COMANDI E CONNESSIONI SUL PANNELLO POSTERIORE

I numeri nel testo si riferiscono alle connessioni della figura "CONNESSIONI SUL PANNELLO POSTERIORE"

Questo registratore può essere collegato a quasi tutti i preamplificatori, amplificatori integrati o ricevitori. Assicurarsi che le spine siano allacciate come prescritto e che i cavi di registrazione ed ascolto siano infilati fino in fondo.

1. INPUT.

Collegare un cavo dai jack "LINE IN" del registratore sul pannello posteriore ai jack TAPE OUT oppure REC ("recorder" = registratore) dell'amplificatore. Collegare il canale sinistro del registratore al canale sinistro dell'amplificatore; collegare il canale destro del registratore al canale destro dell'amplificatore. In linea di massima, la spina rossa viene impiegata per il canale destro, mentre quella nera o bianca è per il canale sinistro. Fare riferimento alla figura 1.

2. OUTPUT.

Collegare un cavo dai jack "LINE OUT" del registratore sul pannello posteriore ai jack PLAY oppure ai jack MONITOR dell'amplificatore. Collegare il canale sinistro del registratore al canale sinistro dell'amplificatore; collegare il canale destro del registratore al canale destro dell'amplificatore. In linea di massima, la spina rossa viene impiegata per il canale destro, mentre quella nera o bianca è per il canale sinistro. Fare riferimento alla figura 1.

3. NAD LINK.

Il connettore "NAD Link IN" permette al NAD 613 di venire fatto funzionare tramite segnali dal telecomando che passano attraverso un altro complessivo a telecomando con il NAD Link, quale ad esempio il ricevitore AV 716. Il NAD Link funziona secondo il sistema detto "a catena": le connessioni in altre parole passano da un'unità a quella successiva. Molti ricevitori NAD e componenti AV vengono forniti già dotati del telecomando per sistema NAD quale ele-



mento standard, che vanta una ricca serie di pulsanti per le varie funzioni di avanzamento del nastro (Play, Record, Fast Forward, Rewind, Stop, ecc.). Si raccomanda di impostare il sistema in modo che il NAD 613 sia sempre la prima unità di questa "catena" subito dopo l'unità principale (di solito un ricevitore). Collegare un cavo da Link Out dell'unità principale (ad esempio l'AV 716) al jack IN del NAD Link sul 613.

4. «POWER» (ALIMENTAZIONE).

Collegare il cavo dell'alimentazione C.A. ad una presa a muro o ad una presa ausiliaria C.A. sul retro dell'amplificatore o del ricevitore.

COMANDI DEL QUADRO ANTERIORE

I numeri nel testo si riferiscono ai comandi nella figura "COMANDI DEL PANNELLO ANTERIORE".

1. «POWER» (ALIMENTAZIONE).

Premere questo pulsante per accendere il riproduttore per cassette. Il display si accende e l'icona della pausa "||" lampeggia per tre secondi; durante questo periodo, nessun comando del deck è abilitato. Per lo scollegamento occorre premere una seconda volta e rilasciare. Quando il riproduttore viene acceso, il display si accende. Prima di spegnere il deck premere sempre STOP.

2. «LINE OUT» (CUFFIE).

Inserire qui una cuffia stereo con jack da 6,5 mm. Durante la registrazione o l'ascolto è possibile controllare il suono dalle cuffie ad un livello fisso.

3. «OPEN» (ACCESO).

Premendo questo pulsante, lo sportellino dello scomparto portacassette si apre per permettere di infilare o sfilare una cassetta. Lo sportellino non può essere aperto durante l'ascolto o la registrazione.

4. SCOMPARTO PORTACASSETTE.

La cassetta va infilata in questo scomparto. Per aprire lo scomparto impiegare il pulsante marcato "OPEN". Lo scomparto può essere chiuso premendo leggermente finché non si riscontra uno scatto.

5. STOP.

Questo pulsante arresta le funzioni di avanzamento del nastro, quali Ascolto, Registrazione, Avanzamento e Riavvolgimento rapido. Disinserisce inoltre i modi sosta registrazione e sosta riproduzione.

6. «PLAY» (ASCOLTO).

Per l'ascolto di un nastro premere questo pulsante. L'icona d'ascolto ► si accende sul display.

- Per caricare una cassetta, toglierla dall'astuccio di protezione. Prima di inserire una cassetta, assicurarsi che il nastro sia diritto e teso nel tratto scoperto sul lato spesso della cassetta.

N.B. Se necessario, infilare una matita in uno dei due mozzi e avvolgere a mano la bobina del nastro per eliminare tutto il lasco.

- Accendere l'unità premendo l'interruttore POWER (1). Dopo l'uso, l'unità può essere spenta premendo una seconda volta questo pulsante.

- Per aprire lo sportellino del portacassette, premere il pulsante "OPEN" (3) ed inserire il nastro con il bordo spesso con il nastro scoperto rivolto verso il basso. La cassetta è trattenuta in un supporto incorporato nel complessivo dello sportellino. Vedere la figura 2.

- Premere lo sportellino dello scomparto portacassette finché non si riscontra un leggero scatto. La cassetta è ora infilata come prescritto.

- La cassetta può essere sfilata premendo nuovamente il pulsante "OPEN" (3). Si fa notare peraltro che questo pulsante non funziona durante l'avanzamento del nastro.

- Azzerare il contatore (nel display) portando su "0000": ciò si effettua premendo il pulsante "RESET" (11).

- Scegliere la posizione richiesta DOLBY NR (17) (Dolby NR Off, Dolby B NR oppure Dolby C NR) a seconda del tipo particolare di nastro che si desidera ascoltare. Per maggior informazioni fare riferimento al capitolo "Come garantire il funzionamento ottimale del registratore per cassette NAD 613", sezione "Sistemi Dolby B NR & C per la riduzione dei disturbi".

- Premere il pulsante PLAY (6) per inserire il meccanismo di avanzamento del nastro. L'icona d'ascolto ► sul display si accende per indicare la condizione di ascolto.

- Se la registrazione sembra cupa, aumentare il comando "PLAY TRIM" (15) (in senso orario) per ripristinare gli altri corretti. Se la registrazione sembra ricca di sibili o stridii, ridurre il comando "Play Trim" in modo da ottenere alti meno sgradevoli. Per maggior informazioni fare riferimento al capitolo "Come ottenere le prestazioni migliori dal Vs. riproduttore per cassette NAD 613", sezione "Comando impostazione dell'ascolto".

- Se si desidera porre termine all'ascolto, premere il pulsante STOP (5).

7. «PAUSE».

Se si desidera interrompere provvisoriamente l'ascolto o la registrazione, premere questo pulsante. Premendo PLAY si ripristina l'ascolto o la registrazione. Si accende sul display l'icona della pausa "I I", conferma della condizione di sosta della cassetta. Ripremere Play per riprendere l'ascolto o la registrazione.

8. RIAVVOLGIMENTO.◀◀

Con la funzione ◀◀ è possibile riavvolgere la cassetta da destra a sinistra. L'avvolgimento rapido cessa automaticamente una volta raggiunto l'inizio del nastro e se si è inserito il blocco della ripetizione REPEAT e il nastro ha raggiunto l'inizio del blocco (vedere anche la sezione "REPEAT" (16) in questo capitolo). Potete arrestare manualmente il riavvolgimento rapido agendo sul pulsante STOP.

9. AVANZAMENTO RAPIDO ►►

Con la funzione ►► si può avanzare il nastro da sinistra a destra. L'avanzamento rapido cessa automaticamente una volta raggiunta la fine del nastro. Potete arrestare manualmente l'avanzamento rapido agendo sul pulsante STOP.

10. RECORD (REGISTRAZIONE).

Premendo questo pulsante insieme ai pulsanti PLAY oppure PAUSE si attivano i circuiti di registrazione. L'evidenziatore di registrazione "Record" riporta l'icona di ascolto o pausa che si accende sul display. Premendo PLAY insieme a RECORD si inizia immediatamente la registrazione; premendo PAUSE con RECORD soltanto si attivano i circuiti di registrazione. Premendo poi PLAY si inizia la registrazione. L'evidenziatore "Record" (registrazione) e l'icona d'ascolto sul display si accendono quindi per indicare la condizione di registrazione.

- Inserire il nastro come detto nella sezione qui sopra "ascolto del nastro". Impostare il selettore DOLBY NR (17) a seconda del particolare tipo di riduzione dei disturbi (senza riduzione dei disturbi: OFF, B oppure C). Non modificare l'impostazione del Dolby NR durante la registrazione. Per maggiori informazioni fare riferimento al capitolo "Come garantire il funzionamento ottimale del registratore per cassette NAD 613", sezione "Sistemi Dolby B NR & C per la riduzione dei disturbi".

- Premere il pulsante per la registrazione RECORD (10) insieme al pulsante d'ascolto PAUSE (7); l'evidenziatore rosso e l'icona della sosta "pause" sul display su accendono.

- Regolare il livello di registrazione impiegando il comando rotante RECORD LEVEL (12) e il comando di equilibratura BALANCE (13). Per maggiori informazioni fare riferimento al capitolo "Come sfruttare al massimo il Vs. riproduttore per cassette NAD 613", sezione "Livello di registrazione".

- Iniziare la registrazione premendo il pulsante "PLAY" (6).

Se si desidera interrompere la registrazione pur mantenendo attivi i circuiti di registrazione e il display, premere il pulsante "PAUSE" (7). Quando si è pronti per ripristinare la registrazione, premere il pulsante "PLAY" (6). Questa tecnica è utile quando si desidera tralasciare annunci o pubblicità durante la registrazione dalla radio o dal televisore.

- Per interrompere la registrazione, premere il pulsante "STOP" (5).

(NOTA: La regolazione dell'ascolto "Play Trim" non ha alcun effetto durante la registrazione).

11. RESET (AZZERAMENTO).

Premere questo pulsante per riportare il contatore a "0000". Il contatore può essere ripristinato in qualsiasi momento durante l'ascolto di un nastro per marcare un punto specifico. Il contagiri viene anche azzerato su 0000 quando si spegne l'apparecchiatura.

12. LIVELLO DI REGISTRAZIONE.

Il livello di registrazione per entrambi i canali può essere regolato tramite questo comando. Le due lineette orizzontali sul display danno un'indicazione precisa del livello di registrazione durante la registrazione. Le lineette funzionano anche durante l'ascolto. Questi misuratori del livello sonoro durante la registrazione sono dotati di dispositivo automatico di mantenimento dei picchi "Peak Hold" che evidenzia la cresta massima per un secondo, anche se questa ha avuto una durata effettiva di solo una frazione di secondo; ciò al fine di facilitare l'ottenimento di una lettura precisa. Per maggiori informazioni fare riferimento al capitolo "Come sfruttare al massimo il Vs. riproduttore per cassette NAD 613", sezione "Livello di registrazione".

13. BALANCE (EQUILIBRIO).

L'equilibrio di registrazione tra canali sinistro e destro può essere regolato impiegando questo comando. In condizioni normali questo comando è impostato alla posizione "ore 12".

Per maggiori informazioni fare riferimento al capitolo "Come sfruttare al massimo il Vs. riproduttore per cassette NAD 613", sezione "Livello di registrazione".

14. POLARIZZAZIONE (BIAS).

Il comando di sintonizzazione con polarizzazione Vi permette di compensare quasi tutti gli scarti della sensibilità e risposta in frequenza esistenti tra una marca e l'altra. Girando il comando in senso orario di diminuiscono gli alti (maggiore polarizzazione); girandolo in senso antiorario si aumentano gli alti (minore polarizzazione). In condizioni normali, questo comando deve essere alla posizione "0" (fermo centrale). Per maggiori informazioni fare riferimento al capitolo "Come sfruttare al massimo il Vs. riproduttore per cassette NAD 613", sezione "Comando Bias".

15. «PLAY TRIM» (REGOLAZIONE DELL'ASCOLTO).

La regolazione dell'ascolto con "Play Trim" è un circuito speciale di antidistorsione durante l'ascolto per ripristinare la risposta precisa di ascolto da nastri pre-registrati, vecchi e consumati, nonché nastri registrati su altra apparecchiatura, o nastri che non erano stati registrati a regola d'arte (polarizzazione eccessiva o insufficiente). Questo comando Vi permette di regolare i circuiti del registratore per garantire l'incanalamento corretto del Dolby NR per dare una risposta corretta delle alte frequenze. Per maggiori informazioni fare riferimento al capitolo "Come sfruttare al massimo il Vs. riproduttore per cassette NAD 613", sezione "Comando Play Trim".

16. «REPEAT» (RIPETERE).

Il NAD 613 è dotato di due modi di ripetizione; ripetizione di tutta la pista di una cassetta oppure ripetizione di un blocco preselezionato 5 volte. Il pulsante di ripetizione REPEAT permette l'escursione su tre impostazioni differenti: OFFfiFULL fi BLOCK fi OFFfiFULL, ecc. (indicate sul display). Selezionare FULL (da fermo o durante l'ascolto) per ripetere l'intera cassetta.



Per ripetere un blocco preselezionato:

- Selezionare BLOCK premendo REPEAT due volte. Si accende BLOCK sul display.
- Premere il pulsante PLAY (6) per iniziare l'ascolto. BLOCK lampeggerà sul display.
- Premere un'altra volta il pulsante PLAY per marcare l'inizio del blocco. Potete ripremere PLAY per cambiare l'inizio del blocco. BLOCK continuerà a lampeggiare sul display.
- Una volta raggiunta la fine del blocco che si desidera ripetere, premere il pulsante di riavvolgimento REWIND ◀ (8). L'indicatore del blocco cesserà di lampeggiare e rimarrà acceso finché il blocco preselezionato non è stato ripetuto cinque volte oppure si preme STOP.

17. DOLBY NR.

I sistemi Dolby NR per la riduzione dei disturbi sono stati progettati per ridurre il sibilo del nastro. Il display indica se è stato selezionato il Dolby NR e quale tipo è stato scelto (B oppure C). Questo pulsante permette l'escursione delle varie impostazioni: OFF B C OFF B, etc. (indicate sul display). Per l'ascolto, selezionare lo stesso tipo di riduzione dei rumori (NR) Dolby NR impiegato per la registrazione originale. Prima di passare alla registrazione, selezionare la posizione Dolby NR che si intende impiegare per registrare. Per maggiori particolari fare riferimento al capitolo "Come ottenere le migliori prestazioni possibili dal Vs. NAD 613", sezione "Sistemi Dolby B NR & C per la riduzione dei rumori". Il Dolby NR passa automaticamente ad "OFF" quando si spegne l'apparecchiatura.

18. FILTRO MPX.

Quando si registra non in diretta con certi sintonizzatori, un segnale inudibile ad alta frequenza può causare mancato incanalamento del circuito Dolby NR di riduzione dei disturbi, dando poi un suono cupo quando si passa all'ascolto della registrazione. Il filtro MPX blocca queste alte frequenze (superiori a 15 kHz).

Premere il pulsante MPX in caso di problemi; Sul display si accenderà MPX FILTER. Se non si registra dalla radio non è necessario selezionare il filtro MPX.

19. DISPLAY.

Vengono visualizzate varie funzioni del riproduttore: Recording, Play, Pause, Dolby NR OFF/B/C/, Repeat OFF/FULL/BLOCK, Record Level e Tape Counter, ovvero: Registrazione, Ascolto, Sosta, Dolby NR Disinserito/B/C/, Ripetizione SPENTO TOTALE/BLOCCO, Livello di Registrazione e Contagiri del Nastro.

COME OTTENERE LE PRESTAZIONI MIGLIORI DAL VS. RIPRODUTTORE PER CASSETTE NAD 613.

I numeri nel testo si riferiscono ai comandi nella figura "COMANDI DEL PANNELLO ANTERIORE", tranne indicazioni differenti.

I SISTEMI DOLBY NR B & C PER LA RIDUZIONE DEI DISTURBI.

Il riproduttore è dotato di due tipi sistemi Dolby NR per la riduzione dei disturbi. Il Dolby C NR fornisce l'affievolimento massimo del sibilo del nastro, importante durante la registrazione dal vivo o per la registrazione con larga gamma dinamica (ad esempio con compact disc digitali).

Dolby B NR offre la massima compatibilità quando si impiegano registratori più vecchi, riproduttori portatili e stereo per vetture. Il Dolby B NR va impiegato inoltre quando si ascoltano quasi tutti i tipi di cassette musicali preregistrate.

Ciascun sistema Dolby NR è attivo sia durante la registrazione sia durante l'ascolto. Pertanto, se un nastro viene registrato con il Dolby C NR, occorre ascoltarlo con il Dolby C NR per ottenere tutti i vantaggi previsti. Ne consegue pertanto che se si è impiegato il Dolby B NR per la registrazione occorre impiegarlo anche per l'ascolto.

Per evitare confusioni si raccomanda di etichettare ciascun cassetta con B oppure C all'atto della registrazione, per evidenziare appunto il tipo di riduzione dei disturbi che è stato impiegato.

NOTA: Una volta scollegata l'alimentazione, i circuiti del Dolby NR ritornano automaticamente alla condizione di riposo. Assicurarsi di scegliere l'impostazione Dolby NR corretta dopo che il deck è stato riacceso.

La sensibilità del nastro è in continuo cambiamento, dato l'effetto di polarizzazione dei segnali audio ad alta frequenza. Il sistema Dolby HX Pro per l'estensione dello spazio elimina questi sbalzi durante la registrazione. Non funziona peraltro durante l'ascolto, pertanto una cassetta incisa impiegando il Dolby HX Pro può essere ascoltata su apparecchiatura senza questo sistema.

NOTA: Il Dolby HX Pro funziona indipendentemente dal Dolby B e C NR, e solo durante la registrazione.

IL COMANDO DI POLARIZZAZIONE (BIAS).

L'accostamento tra la polarizzazione del registratore e quella del nastro è di importanza sostanziale quando si impiega il sistema Dolby NR per la riduzione dei disturbi, poiché qualsiasi sfalsamento rispetto alla risposta piatta delle alte frequenze viene ingrandito nel circuito Dolby NR durante l'ascolto, rendendo il suono super-brillante oppure estremamente cupo. Il comando "Bias" (14) Vi permette di compensare gli scarti esistenti tra una marca e l'altra. La procedura per la messa a punto fedele della polarizzazione è come indicato qui sotto:

1. Caricare un nastro non registrato ed avanzarlo rapidamente per un paio di secondi in modo da oltrepassare la linguetta iniziale.
2. Impostare il comando "Play Trim" (regolazione dell'ascolto) (15) su "0" (la posizione del fermo centrale) e premere il pulsante "Multiplex Filter" (18) per inserire il filtro (il display ne dà la conferma).
3. Premere "Dolby NR" (17) per selezionare "C".
4. Impostare il comando "Bias" (14) su "0" (la posizione di fermo centrale).



5. Premere il pulsante "Reset" (11) e registrare un breve campione di musica a livello massimo pari a circa -8 dB.

6. Riavvolgere il nastro a circa 0000.

7. Ascoltare il brano e valutarne l'equilibrio acustico facendo riferimento all'originale.

8. Se la registrazione sembra più cupa dell'originale, portare il comando "Bias" su "DOWN" (in senso antiorario) per valorizzare gli alti (ottenendo meno bias). Se le alte frequenze risultano esagerate, attenuare il comando "UP" (senso orario) per ridurre la risposta dei toni acuti (aumentando il bias).

9. Per controllare la nuova impostazione del "bias", effettuare un'altra breve registrazione di prova e confrontare il risultato. Se necessario, impostare nuovamente con precisione.

NOTE:

- Il comando del Bias ha effetto sulla cassetta solo durante la registrazione. Non può essere impiegato per migliorare la qualità di un nastro dopo la registrazione.

- Raccomandiamo di impiegare sempre la medesima marca di nastro di pari qualità per assicurare prestazioni ottimali e regolari del registratore. Impostare il comando del Bias conformemente al tipo particolare di nastro.

LIVELLO DI REGISTRAZIONE.

Le due linee orizzontali a segmenti riportano il livello di picco del segnale della sorgente in ciascun canale. Come regolare il livello di registrazione attenuando (in senso antiorario) od aumentando (in senso orario). Vi sono varie formulazioni di nastro - normale (I), CrO2 (II) e "Metal" (IV) - ciascuna con le proprie caratteristiche di specifica, quale ad esempio il livello di saturazione. Il NAD 613 rileva automaticamente quale tipo di nastro viene impiegato e "accosta" le proprie impostazioni a seconda del caso. Un livello di registrazione troppo basso può dare sibilo eccessivo del nastro; un livello troppo alto dà invece distorsione. La procedura standard prevede l'impostazione del livello di registrazione per il brano musicale più forte, lasciando invariati i comandi. Impostare il comando in modo che i suoni sostenuti (ad esempio canto od orchestra completa) portino ai segmenti rossi (fino a 4 dB). La musica ha un'escursione di livelli di volume; pertanto le parti meno forti vengono registrate ad un livello di -20 dB o meno (senza l'accensione dei segmenti). Ciò è normale.

Il comando BALANCE (13) Vi permette di modificare l'equilibrio acustico sinistro/destro della registrazione. Portandolo completamente in senso antiorario, solo il canale sinistro viene registrato; portandolo completamente in senso orario, solo quello destro viene registrato. Per l'uso normale, il comando è impostato nel fermo al centro dell'escursione ammessa, registrando ciascun canale a livelli eguali. Se si desidera cancellare un nastro, senza effettuare una nuova registrazione, attenersi alla procedura descritta qui sopra, ma portare il comando "RECORD LEVEL" (12) in senso completamente antiorario. Non si ha l'accensione di alcun segmento per il livello di registrazione.

PREVENZIONE DELLA CANCELLAZIONE ACCIDENTALE.

Mentre si effettua una nuova registrazione, quelle precedenti già sul nastro vengono cancellate automaticamente. Se si desidera proteggere un nastro per impedirne la cancellazione o ri-registrazione accidentale, intervenire sulle linguette di protezione della cassetta. In questo modo, la funzione di registrazione non può essere inserita. Si prega notare che la maggior parte delle cassette preregistrate e smerciate comunemente non ha le linguette di protezione. Si può applicare nastro adesivo sulle sfinestrature per permettere ai circuiti di effettuare la registrazione.

Le cassette CrO2 (tipo II) e quelle Metal (tipo IV) presentano fori supplementari che permettono al deck di "riconoscere" automaticamente i vari tipi di nastro. Assicurarsi di non mascherare anche queste sfinestrature! Vedere la figura 3.

IL COMANDO DI REGOLAZIONE DELL'ASCOLTO "PLAY TRIM".

Portare il comando "PLAY TRIM" nella posizione "0" (fermo centrale) per l'ascolto normale. Gli errori in risposta delle alte frequenze hanno luogo di solito nelle registrazioni specie se il nastro è stato registrato su apparecchiatura differente da quella impiegata per l'ascolto. Questi errori derivano dalla saturazione del nastro - specie quei nastri registrati su apparecchiature senza HX Pro -, con polarizzazione che non è conforme al nastro quando la registrazione viene effettuata, nonché da differenze di equilibratura ed azimuto delle testine che variano da un registratore all'altro.

Questi errori possono dare incanalamento incorretto dei circuiti Dolby NR, e ciò a sua volta causa l'ingigantimento dei guasti da parte dei circuiti: si ha così solitamente un suono cupo.

Il "Play Trim" è un circuito speciale di equilibratura per la riproduzione delle alte frequenze, impiegato per ripristinare la risposta precisa dell'ascolto prima della decodificazione Dolby NR. L'equilibratura standard d'ascolto, per nastri registrati a regola d'arte, è ottenuta quando il comando "Play Trim" è impostato sul fermo al centro dell'escursione.

Quando si ascoltano nastri, impostare il selettore DOLBY NR conformemente al nastro registrato. Se la registrazione sembra cupa, aumentare il comando "Play Trim" (in senso orario) per ripristinare gli alti corretti. Se la registrazione sembra ricca di sibili o stridii, ridurre il comando "Play Trim" in modo da ottenere alti meno sgradevoli.

NOTA: Il comando "Play Trim" influenza solo l'ascolto; non funziona durante la registrazione.

MANUTENZIONE

I cuscinetti e le altre parti mobili sono trattati in fabbrica impiegando lubrificanti speciali: non richiedono alcuna cura particolare.

Polvere, sporcizia e depositi di ossido possono danneggiare le testine e la guida del nastro, sfalsando il suono sia durante l'ascolto sia durante la registrazione. Le parti in contatto diretto con il nastro vanno pertanto pulite ad intervalli regolari.



NOTA: Assicurarsi che il ricevitore o l'amplificatore siano spenti prima di pulire o smagnetizzare le testine.

PULIZIA

Aprire lo sportellino dello scomparto portacassette. Sul fondo dello scomparto si possono evidenziare le testine e la guida del nastro (la "torretta" e il rullino fermanastro). Vedere la figura 4.

Pulire le testine (A & B) e il revolver (C) impiegando stecchini per le orecchie ed un po' di alcool puro oppure con un prodotto speciale per la pulizia.

Pulire il rullino (D) impiegando solo acqua distillata. Non impiegare mai alcool sul rullino, poiché la gomma si inaridisce facilmente. Oppure si può impiegare l'apposita cassetta per la pulizia. Assicurarsi di impiegare una cassetta che pulisce tutte le parti indicate nella figura 3.

SMAGNETIZZAZIONE

Le parti in contatto diretto con il nastro si magnetizzano con il passar del tempo. Questo magnetismo aumenta il sibilo, sia durante l'ascolto sia durante la registrazione. Pertanto si raccomanda di smagnetizzare le testine, il rullino e le altre parti metalliche di guida impiegando uno smagnetizzatore o una cassetta apposita. Seguire le istruzioni riportate con lo smagnetizzatore o la cassetta apposita.

AVVISO IMPORTANTE

Non avvicinare mai smagnetizzatori alle cassette, poiché possono cancellare la registrazione. Per reperire gli accessori corretti richiesti per la pulizia e la smagnetizzazione contattare sempre il Concessionario.

"Dolby", "Dolby NR", HX Pro e il simbolo della doppia 'D' sono marchi depositati della Dolby Laboratories Licensing Corporation.

Il sistema HX Pro è stato realizzato dalla Bang & Olufsen.

Il sistema Dolby Noise Reduction per la riduzione dei disturbi e il sistema di estensione dello spazio HX Pro sono fabbricati sotto licenza dalla Dolby Laboratories Licensing Corporation.

Il sistema PLAY TRIM (regolazione dell'ascolto) è stato progettato dalla NAD e dalla Dolby Laboratories Inc.

Dolby NR è un marchio depositato della Dolby Licensing Laboratories Inc.

TÄNK PÅ FÖLJANDE VID INKOPPLING.

NAD 613 bör placeras på en jämn stabil yta. Undvik att placera apparaten så att den utsätts för direkt solljus, står nära värmekällor eller utsätts för fukt. Undvik att placera NAD 613 i närheten av kraftiga magnetfält som alstras av tex förstärkare, högtalare och TV-apparater. Tonhuvudena i kassettdäck kan plocka upp det brumfält som genereras av sådana apparater.

NAD 613 levereras med signalkablar av standardkvalitet. För att få ut det mesta ur apparaten bör kablar av högre kvalitet övervägas, konsultera Hi-Fi Klubben angående val av bättre signalkablar.

ATT TÄNKA PÅ...

För att du skall kunna få ut maximal kvalitet ur NAD 613 måste det skötas på rätt sätt. Precis som med alla kassettdäck kräver det ett visst underhåll. Tänk på följande punkter:

KASSETTDÄCKET.

A. Se till att tonhuvud och bandtransport rengörs regelbundet. Se vidare sidan 37.

B. Tonhuvud och bandtransport bör även avmagnetiseras då och då. Se vidare sidan 37.

C. Alla lager och rörliga delar är permanent smorda från fabrik och är underhållsfria. Ytterligare smörjning kan skada apparaten.

D. Undvik att placera NAD 613 i närheten av kraftiga magnetfält som alstras av tex förstärkare, högtalare och TV-apparater.

E. Placera däckets på en stabil flat yta.

F. Undvik att utsätta däckets för rök, damm och annan smuts som medför ökat slitage på däckets.

G. Undvik att placera NAD 613 i närheten av sändare tex mobiltelefoner och sladdlösa telefoner. Radiostrålningen kan störa kassettdäckets funktioner.

H. Kassettluckan bör hållas stängd. Den bör bara användas vid bandbyte och vid rengöring av tonhuvud och bandtransportdelar.

I. Placera inte kassettdäckets direkt ovanför en (effekt)förstärkare eller reciever då de alstrar en hel del värme. Se även punkt D.

KASSETTBAND.

A. Förvara alltid dina kassetband i sina fodral. Låt aldrig kassetbanden exponeras för starkt soljus, värme eller fukt. Kassetband mår inte bra av att ligga i en bil.

B. Använd alltid kassetband av god kvalitet. Förutom den dåliga ljudkvaliteten kan dåliga band slita onormalt hårt på tonhuvudena.

C. Rör aldrig vid själva bandet med fingrarna. Fett och smuts från fingrarna kan då smetas av på tonhuvudena.

D. I de flesta fall har kassetband ungefär fem till åtta sekunders blanktape i början av bandet. Se till att du inte påbörjar någon inspelning på denna bit. Vrid fram bandet med en blyertspenna.

ANSLUTNINGAR OCH KONTROLLER PÅ BAKSIDAN AV APPARATEN.

Siffrorna i texten hänvisar till bilden "REAR PANEL CONNECTIONS".

Detta kassettdäck kan anslutas till i stort sätt alla typer av förstärkare, integrerade förstärkare och recievers på marknaden. Försäkra dig om att alla kontakter är ordentligt intryckta och att kablarna för in och avspelning är anslutna på korrekt sätt.

1. LINE IN. (Insignal)

Anslut en kabel från däckets ingångskontakter till förstärkarens TAPE OUT eller REC(-ORD) kontakter. Anslut vänster(vit eller svart)kontakt på däckets till vänster kontakt på förstärkaren. Anslut höger(röd)kontakt på däckets till höger kontakt på förstärkaren. Se även figur 1.

2. LINE OUT. (Utsignal)

Anslut en kabel från däckets utgångskontakter till förstärkarens TAPE IN eller PLAY(-BACK) kontakter. Anslut vänster(vit eller svart)kontakt på däckets till vänster kontakt på förstärkaren. Anslut höger(röd)kontakt på däckets till höger kontakt på förstärkaren. Se även figur 1.

3. NAD LINK

"NAD LINK IN" kontakten ger dig möjlighet att låta NAD 613 styras från andra fjärrstyrda komponenter med NAD LINK tex NAD 705.

Flera komponenter med NAD LINK kan kopplas ihop i en lång kedja.

Flera NAD recieverar levereras med en NAD systemfjärrkontroll som kan styra basfunktionerna på kassettdäckets (PLAY, RECORD, FAST FORWARD, REWIND och STOP). Vi rekommenderar att koppla NAD 613 direkt efter huvudenheten i NAD LINK kedjan. Anslut en kabel från däckets NAD LINK OUT kontakt till NAD LINK IN på nästa apparat.

4. NÄTSLADD.

För anslutning till vägguttag. Om apparaten inte skall användas under en längre tid bör nätsladden kopplas ur vägguttaget.

KONTROLLER PÅ APPARATENS FRAMSIDA.

Siffrorna i texten hänvisar till bilden "FRONT PANEL CONTROLS".

1. POWER. (Av/Påslag.)

Med den gröna strömbrytaren sätter du på eller stänger av kassettdäckets. Omedelbart efter påslag kommer paussymbolen "II" att blinka i tre sekunder, under denna tid svarar inte däckets på några kommandon. Stäng aldrig av apparaten utan att stanna bandet.



2. HÖRLURUTTAG.

Uttag för hörlurar med 6,3mm (1/4") teleplugg. Används lämpligen för kontrolllyssning vid in och avspelning. Nivån är fast.

3. OPEN. (Lucköppning.)

När du trycker på den här knappen öppnas kassetluckan så att du kan sätta i eller ta ur kassetband. Luckan stängs sedan för hand. Luckan kan ej öppnas under in och avspelning.

4. KASSETTSCHAKT.

Kassetbandet skall placeras i spåren på kassetluckan med den tjocka delen nedåt och den sida som skall spelas utåt. Öppna luckan genom att trycka på OPEN. Sätt i bandet. Stäng luckan med ett lätt tryck tills låset klickar till.

5. STOP.

Stoppknappen avbryter alla bandtransportfunktioner såsom PLAY, RECORD, FAST FORWARD och REWIND. Den avbryter också RECORD/PAUSE och PLAY/PAUSE.

6. PLAY. (Avspelning.)

Tryck på knappen märkt PLAY om du vill spela av ett band. Symbolen för avspelning ► syns då i displayen.

Om bandet inte skulle vara sträckt måste det sträckas innan du sätter i det, annars kan bandet trasslas, så kallad bandsallad. Bandet sträcks enklast genom att köra in en blyertspenna i bandets ena kugghjul och snurra försiktigt tills bandet är sträckt.

- Slå på kassettdäcket med strömbrytaren (1). Efter användandet kan apparaten stängas av genom att strömbrytaren (1) trycks in en gång till.

- Tryck på OPEN (3) för att öppna luckan och sätt i bandet i spåren på luckan med den tjocka delen nedåt och den sida som skall spelas utåt. Notera att OPEN knappen ej fungerar medan bandet går. (se fig. 2)

- Tryck igen luckan tills låset klickar till. Bandet är nu på plats.

- Nollställ räkneverket genom att trycka på RESET (11).

- Välj vilken typ av brusreduceringssystem (knapp 17) du skall använda.

Välj mellan DOLBY NR B, C eller ingen reducering med knapparna (10) och (11). För mer information om brusreducering, se i stycket "Hur du får ut det mesta ur ditt NAD 613 kassettdäck".

- Tryck in PLAYknappen (6) för att påbörja avspelning. Om RECORD har tryckts in i förväg, kommer inspelningsindikatorn att lysa. Om du nu trycker PLAY kommer ditt band att raderas. För att undvika radering i detta fall, tryck STOP först och sedan PLAY för att spela av bandet.

- Om det avspelade bandet låter matt, vrid på PLAY TRIM (15) medsols för att återställa diskanten. Om bandet istället låter vasst och påträngande, vrid

PLAY TRIM motsols för en mjukare och behagligare diskant. För mer information om PLAY TRIM, se i stycket "Hur du får ut det mesta ur ditt NAD 613 kassettdäck", "PLAY TRIM".

* Tryck på STOP (5) för att avbryta avspelningen.

* Bandet kan tas ur genom att du trycker på OPEN knappen.

7. PAUSE.

Om du vill göra en paus i av eller inspelningen kan du använda den här knappen. För att fortsätta trycker du bara PLAY igen.

I displayen visas II för att visa att bandet är pausat.

8. REWIND ◀◀. (Återspolning.)

Med återspolningsfunktionen ◀◀ kan man snabbspola tillbaka bandet. Återspolningen avbryts automatiskt när bandet är helt tillbakaspolat. Man kan även låta ett repetitionsminne styra hur långt bandet skall spolas. Se stycket om REPEAT. För att avbryta återspolning kan skall man trycka på STOP.

9. FAST FORWARD ▶▶. (Snabbspolning.)

Med snabbspolningsfunktionen ▶▶ kan man snabbspola bandet framåt. Snabbspolningen avbryts automatiskt när bandet tar slut. För att avbryta snabbspolning kan skall man trycka på STOP.

10. RECORD. (Inspelning.)

Inspelningsknappen tillsammans med antingen PAUSE eller PLAYknappen, aktiverar kretsarna för inspelning och tänder inspelningsindikatorn och PAUSE eller PLAYindikatorn. Om man därefter trycker RECORD och PLAY, startar inspelningen direkt. Då lyser PLAY indikatorn tillsammans med inspelningsindikatorn. Om man trycker på RECORD och PAUSE aktiveras inspelningskretsarna. Trycker man därefter på PLAY, startar inspelningen.

- Slå på kassettdäcket med strömbrytaren (1). Efter användandet kan apparaten stängas av genom att strömbrytaren (1) trycks in en gång till.

- Tryck på OPEN för att öppna luckan och sätt i bandet i spåren på luckan med den tjocka delen nedåt och den sida som skall spelas utåt. Notera att OPEN knappen ej fungerar medan bandet går.

- Tryck igen luckan tills låset klickar till. Bandet är nu på plats.

- Nollställ räkneverket genom att trycka på RESET (11).

- Välj vilken typ av brusreduceringssystem du skall använda.

Välj mellan DOLBY NR B, C eller ingen reducering med knapp (17). Ändra inte DOLBY NR läge under inspelningen. För mer information om brusreducering, se i stycket "Hur du får ut det mesta ur ditt NAD 613 kassettdäck".

- Tryck in RECORD (10) och PAUSE (7) nu tänds inspelningsindikatorn och PAUSEindikatorn.

- Justera inspelningsnivån med nivåreglaget (12)

och balansreglaget (13) För mer information om inspelningsnivåer, se i stycket "Hur du får ut det mesta ur ditt NAD 613 kassettdäck".

- Tryck in PLAY (6) knappen för att påbörja inspelning.

- Om du vill göra en paus i inspelningen, tryck på PAUSE (7). För att fortsätta inspelningen tryck på PLAY (6). När du vill återuppta avspelningen, tryck på PLAY (6). Den här tekniken är användbar när man vill undvika påannonseringar och reklamslag vid inspelning från radio och TV.

- Tryck på STOP för att avbryta avspelningen.

- Bandet kan tas ur genom att du trycker på OPEN knappen.

11. RESET. (Nollställning.)

För att nollställa räkneverket, trycker du på knappen RESET. Nollställning kan göras var som helst på bandet.

12. RECORD LEVEL. (Inspelningsnivå.)

Inspelningsnivån till båda kanalerna styrs med den här ratten.

De två vertikala staplarna i displayen visar nivån på bandet under inspelningen. Staplarna visar även nivån vid avspelning. Nivåmätarna visar toppvärden i en sekund för att det skall vara lätt att ställa in rätt nivå vid inspelning. För mer information om inspelningsnivåer, se i stycket "Hur du får ut det mesta ur ditt NAD 613 kassettdäck".

13. BALANCE. (Balanskontroll.)

Balansen mellan höger och vänster kanal kan justeras med BALANCE.

Normalt sätt skall den stå i mittläget. För mer information om inspelningsnivåer, se i stycket "Hur du får ut det mesta ur ditt NAD 613 kassettdäck".

14. BIAS.

Att anpassa förmagnetiseringen till bandet är speciellt viktigt när man använder DOLBY NR brusreducering. Alla avvikelser från helt rak frekvensgång förstoras i DOLBY NR kretsarna under avspelning, vilket gör att inspelningen låter antingen för mörk eller ljus.

BIAS kontrollen på NAD 613 gör att man kan kompensera för skillnader mellan olika typer av band.

15. PLAY TRIM.

PLAY TRIM är en unik funktion som återställer klangbalansen på gamla och slitna band eller band som är inspelade med felaktig bias. Med PLAY TRIM får man DOLBY NR kretsarna att fungera på korrekt sätt så att diskanten inte filtreras bort. För mer information om PLAY TRIM, se i stycket "Hur du får ut det mesta ur ditt NAD 613 kassettdäck", "PLAY TRIM".

16. REPEAT.

NAD 613 är utrustad med två olika typer av repetering, repetering av en hel bandsida eller ett valt avsnitt fem gånger. Repetitionsknappen kan tryckas för tre olika lägen som visas i fönstret, OFF FULL BLOCK OFF etc.

Välj "FULL" för att repetera en hel kassettsida.

För att använda BLOCKrepetering, gör så här:

- * Välj BLOCK genom att trycka REPEAT två gånger. BLOCK lyser i fönstret.

- * Tryck på PLAY (6) för att starta avspelning. BLOCK blinkar nu i fönstret .

- * Tryck på PLAY igen för att markera var avsnittet skall börja, du kan trycka PLAY igen om du flytta startpunkten.

- * När du kommer till slutet på det avsnitt du vill repetera, tryck på REWIND ◀ (8). BLOCK indikator slutar blinka och lyser fast tills avsnittet repeterats fem gånger eller att man trycker på STOP.

17. DOLBY NR.

För att minska bandens egenbrus är NAD 613 utrustad med två olika brusreduceringssystem, DOLBY NR B och C. Med knappen väljer du mellan: OFF B C OFF etc. Välj det system som bandet spelades in med för avspelning. Välj det system du önskar vid inspelning innan du startar inspelningen. Se stycket om DOLBY NR B/C BRUSREDUCERINGSSYSTEM för mer information. Dolby NR omkopplaren ställs automatiskt i OFF läge efter det att däcket slås av.

18. MPX FILTER

En del radiodelar har en dålig pilottonfiltrering. Pilottonen ligger på 19kHz och kan ej höras (bandbredden på FM radio är 30Hz till 15kHz). Om inte pilottonen filtreras bort vid inspelning av band störs DOLBY NR kretsarna.

MPX filtret tar bort frekvenser över 15kHz.

För att koppla in filtret tryck en gång på knappen så att MPX Filter tänds i fönstret. Om filtret ej behövs, slå av det genom att trycka på knappen så att MPX Filter släcks i fönstret.

19. DISPLAY. (Display fönster.)

Här visas däckets olika funktioner, in och avspelning, paus, bandtyp, DOLBY NR B/C/OFF, repetering OFF/FULL/BLOCK, inspelningsnivå och räkneverk.

HUR DU FÅR UT DET MESTA UR DITT NAD 613 KASSETTDÄCK.

Siffrorna i texten hänvisar till bilden "FRONT PANEL CONTROLS" om inget annat nämns.

DOLBY NR BRUSREDUCERINGSSYSTEM B/C.

NAD 613 är utrustad med två olika brusreduceringssystem.

DOLBY NR C ger den största undertryckningen av bandbrus, vilket är viktigt när man spelar in levande musik och CD med stort dynamikomfång.

DOLBY NR B ger den största komabiliteten med äldre och enklare bandspelare. De flesta förinspelade



kassetband använder DOLBY NR B.

DOLBY NR systemen skall användas vid både inspelning och avspelning.

Således skall ett band inspelat med DOLBY NR B, spelas av med DOLBY NR B och vice versa.

För att underlätta är det god idé att märka banden med vilken typ av DOLBY NR som använts.

OBSERVERA att DOLBY NR kretsarna alltid slås av när kassettdäcket slås av. Se till att korrekt brusreduceringssystem väljs när däcket åter slås på.

Bandets känslighet varierar hela tiden under inspelningen beroende på att de högfrekventa ljudsignalerna påverkar bandets magnetiseringsförmåga. Dolby HX Pro headroom extension är ett system som kompenserar för bandet varierande inspelningsförmåga. Bandet påverkas bara vid inspelning och kan därför spelas upp på vilket annat däck som helst, även däck som inte är utrustade med HX Pro.

Observera att HX Pro fungerar oberoende av Dolby B & C och bara vid inspelning.

BIAS JUSTERING.

Att anpassa förmagnetiseringen till bandet är speciellt viktigt när man använder DOLBY NR brusreducering. Alla avvikelser från helt rak frekvensgång förstoras i DOLBY NR kretsarna under avspelning, vilket gör att inspelningen låter antingen för mörk eller ljus.

BIAS kontrollen (14) på NAD 613 gör att man kan kompensera för skillnader mellan olika typer av band.

Justering av förmagnetisering går till så här.

1. Sätt i ett tomt band och spola förbi blanktapen.
2. Sätt PLAY TRIM (15) i nollläget i mitten och slå på MPX filtret.
3. Slå på DOLBY NR C.
4. Sätt BIAS i nollläget i mitten.
5. Tryck på RESET (11) och spela in en snutt musik med en nivå av -8dB.
6. Spola tillbaka bandet till 0000.
7. Spela upp musiken och lyssna efter hur klangbalansen är jämfört med originalet.
8. Om inspelningen låter mörkare än originalet, vrid BIAS kontrollen motsols för att höja diskanten. Om inspelningen låter ljusare än originalet, vrid BIAS kontrollen medsols för att sänka diskanten.
9. Gör om proceduren för att kontrollera justeringen. Finjustera igen om så behövs.

BRA ATT VETA...

* BIAS kontrollen fungerar bara vid inspelning. Den kan inte påverka ljudet vid avspelning.

* Vi rekommenderar att du väljer ett fabrikat och typ av band och använder det hela tiden för att få en jämn och hög ljudkvalitet. Anpassa Bias för den typen av band.

JUSTERING AV INSPELNINGSNIVÅ.

I displayen finns två utstyringsinstrument som visar signalnivån vid inspelning. Instrumenten är kalibrerade att visa signalens toppnivåer. Nivån på signalen vid inspelning bör justeras så att bandet inte mätts av en för stark signal, å andra sidan får signalen inte vara så svag att musiken dränks i bandbrus.

Bandtillverkarna brukar ange hur stark signal bandet klarar på kassettdralet. Bandspelaren känner själv av vilken typ av band som används (Normal, Kromdioxid och Metallband). Genom att vrida på ratten märkt RECORDING LEVEL kan du justera nivån så att den blir lagom stark, Utgå från de starkaste partierna i musikmaterialet för att avgöra vad som är lämplig nivå. Ställ nivån så att de starkaste partierna når cirka +4dB. Om musiken har en stor dynamisk variation är det fullt normalt att de tystare partier hamnar under -20dB nivån (inga lysdioder tända).

Balanskontrollen (13) ger dig möjlighet att justera nivåerna mellan höger och vänster kanal så att de spelas in lika starkt på båda kanalerna. Det normala är att balansen står i mittläget.

Om du vill radera ett band så gör du det enklast genom att spela in på det med inspelningsnivån nerdragen till noll (ratten vriden helt till motsols).

HUR DU UNDVIKER OAVSIKTLIG RADERING.

När du gör en ny inspelning på ett band så raderas allt tidigare inspelat material. Om du vill skydda det inspelade materialet från radering eller överspelning, kan du bryta av säkerhetssprintarna vid kanterna på kassetts ryggen. Utan de sprintarna går det ej att spela in på bandet. Färdiginspelade band är skyddade på detta sätt. Om du vill spela över något band där du brutit sprintarna kan du sätta tejp över hålen (se fig. 3). På Kromdioxid och Metallband finns det ytterligare hål på ryggen på kassetten. De är till för att däcket skall kunna känna igen olika bandtyper.

PLAY TRIM KONTROLLEN.

Vid normal avspelning skall PLAY TRIM ratten stå i mittläget. Fel i diskantåtergivningen är vanligt på kassetinspelningar, speciellt på band inspelade på något annat däck än det de spelas upp på. Sådana fel beror oftast på att bandet är mättat, (vanligt på däck som inte är utrustade med HX PRO) felinställd bias vid inspelningen eller fel inställda tonhuvud. En felaktig diskantåtergivning gör att DOLBY NR kretsarna inte fungerar so avsett och felen förstoras vilket leder till ett matt och trist ljud.

PLAY TRIM är en speciell högfrekvens klangkontroll som används vid avspelning för att återställa den ursprungliga diskantnivån innan signalen når DOLBY NR kretsarna. Normal, opåverkad avspelning för korrekt inspelade band fås med PLAY TRIM i mittläge.

När du spelar ett band, välj rätt DOLBY NR system som matchar bandet. Om inspelningen låter matt, vrid PLAY TRIM medsols för att återställa diskanten. Om inspelningen låter vasst och påträngande, dra då ner PLAY TRIM så att återgivningen blir behaglig.

Tänk på att PLAY TRIM fungerar bara under avspelning och ej vid inspelning.

UNDERHÅLL

Lager och rörliga delar är permanent smorda från fabrik och behöver inget underhåll.

Smuts, damm och bandedoxid kan, förutom att det försämrar återgivningen, på sikt skada tonhuvud och bandtransportdelar.

Det är därför viktigt att de delar som har kontakt med bandet rengörs regelbundet.

Apparaten måste vara avslagen när rengöring görs.

RENGÖRING.

Öppna kassettluckan. Längst nere i schaktet syns tonhuvudena, kapstanaxel och drivrullar. Se figur 4.

Rengör tonhuvudena (A & B) och kapstanaxeln (C) med Tops doppade i Isopropanol (finns på apoteket). Rengör drivrullarna (D) med destillerat vatten då Isopropanolen torkar ut gummit.

Man kan även använda en så kallad rengöringskassett som rengör alla delar som visas i figur 4.

AVMAGNETISERING

De delar som har direktkontakt med bandet blir något magnetiska med tiden. Magnetismen ger ett ökat brus vid både in och avspelning. Vi rekommenderar därför att metalldelarna avmagnetiseras då och då med en Defluxer eller en speciell avmagnetiseringskassett. Följ instruktionerna på Defluxern eller avmagnetiseringskassetten.

Håll avmagnetiseringsapparaterna borta från kassetbanden, då de kan radera det inspelade materialet.

Om du vill ha hjälp med avmagnetisering kan Hi-Fi Klubben hjälpa dig.

PLAY TRIM är utvecklat av NAD och DOLBY Laboratories Inc.

HX Pro är utvecklat av Bang & Olufsen.

Dolby Brusreducering och HX Pro tillverkas under licens från Dolby Laboratories Licensing Corporation.

DOLBY NR är ett registrerat varumärke för DOLBY Laboratories Ltd.

"DOLBY", "DOLBY NR" och dubbel-D symbolen är registrerade varumärken för DOLBY Laboratories Ltd.

INSTALAÇÃO

O gravador pode ser instalado em qualquer superfície estável que não esteja sujeita a vibração ou a campos magnéticos intensos. Não deve ser colocado directamente num altifalante, num aparelho de televisão ou num grande amplificador de energia que pudesse apanhar um zumbido do transformador de energia do amplificador. Se desejar instalar o gravador ao lado dum amplificador na mesma prateleira, coloque o gravador à esquerda por forma que o respectivo compartimento da cassette fique voltado para longe do amplificador.

ADVERTÊNCIA: ANTES DELIGAR A UNIDADE À CORRENTE PELA PRIMEIRA VEZ LEIA A SECÇÃO SEGUINTE COM ATENÇÃO.

Alguns modelos são desenhados para serem usados apenas com a tensão da corrente eléctrica da área em que são vendidos.

Modelos europeus: AC230V, 50Hz

Modelos dos E.U.A. e do Canadá: AC120V, 60Hz.

PRECAUÇÕES

Para assegurar que é mantido o máximo desempenho do porta-cassetes NAD 613 com o decorrer do tempo, queira recordar-se das precauções seguintes:

O PORTA-CASSETES

A. Assegure-se que as cabeças e o transporte são limpos regularmente. Queira consultar a página 43.

B. Desmagnetize as duas cabeças e a guia da fita de tempos a tempos. Queira consultar a página 43.

C. Os rolamentos e outras peças móveis foram tratados com lubrificantes especiais e portanto não necessitam de manutenção. Lubrificação adicional pode efectivamente provocar mau funcionamento.

D. Não coloque o porta-cassetes perto de equipamento com campos magnéticos fortes, tais como altifalantes ou televisões, etc.

E. Coloque o porta-cassetes numa superfície maciça e plana.

F. Evite a entrada de sujidade, poeira, areia, etc., no porta-cassetes.

G. Evite colocar perto de transmissores: estes podem gerar frequências altas que podem causar mau funcionamento do porta-cassetes.

H. Assegure-se que a tampa do compartimento do porta-cassetes está fechada quando o porta-cassetes não está a uso.

Abra apenas para tirar ou pôr uma cassette ou para limpar as cabeças e as guias da fita.

I. Não coloque o porta-cassetes directamente no topo de um amplificador (de energia) ou de um receptor. O porta-cassetes pode apanhar o zumbido do transformador de energia do amplificador. Certos amplificadores também podem gerar uma certa quantidade de calor, mesmo quando estão de reserva.

FITAS DA CASSETE

A. Guarde as fitas da cassette no respectivo estojo, longe de poeira. Nunca guarde fitas expostas à luz directa do sol ou em lugares muito quentes.

B. Use sempre fitas de cassette de boa qualidade. Para além de resultados medíocres, as fitas de má qualidade podem causar desgaste excessivo das cabeças.

C. Nunca toque na própria fita exposta ou tire esta para fora da respectiva cassette.

D. Na maioria dos casos, a fita da cassette tem uma fita de entrada de cinco a oito segundos, tanto no princípio como no fim da fita da cassette. Visto que esta fita de entrada não pode ser gravada, certifique-se que começa a gravar para além deste ponto.

LIGAÇÕES E COMANDOS DO PAINEL TRASEIRO

Os números no texto referem-se às ligações na gravura "LIGAÇÕES DO PAINEL TRASEIRO"

Este porta-cassetes pode ser ligado a quase todos os pré-amplificadores, amplificadores integrados ou receptores. Certifique-se que as fichas estão completamente encaixadas e os cabos de gravação e reprodução estão devidamente ligados.

1. INPUT [ENTRADA.]

Ligue um cabo vindo dos ligadores de "ENTRADA DA LINHA" ("LINE IN") do porta-cassetes no painel traseiro aos ligadores de TAPE OUT (SAÍDA DE FITA) ou REC(OUT) (GRAVADOR DE FITA) do seu amplificador. Ligue o canal esquerdo do porta-cassetes ao canal esquerdo do amplificador e ligue o canal direito do porta cassette ao canal direito do amplificador. Normalmente, a ficha vermelha é usada para o canal direito, e a ficha preta ou branca para o canal esquerdo. Queira consultar a figura 1.

2. OUTPUT [SAÍDA].

Ligue um cabo vindo dos ligadores da "SAÍDA DA LINHA" ("LINE OUT") do porta-cassetes no painel traseiro aos ligadores de TAPE IN (ENTRADA DA FITA) PLAY (TOCAR) ou MONITOR (MONITOR) do seu amplificador. Ligue o canal esquerdo do porta-cassetes ao canal esquerdo do amplificador e ligue o canal direito do porta-cassetes ao canal direito do amplificador. Normalmente, a ficha vermelha é usada para o canal direito, a ficha preta ou branca para o canal esquerdo. Queira consultar a figura 1.

3. NAD LINK [LIGAÇÃO NAD]

O conector "NAD Link IN" (ENTRADA da ligação NAD) permite que o NAD 613 seja operado por sinais de controlo remoto exteriores vindos de outro componente de controlo remoto NAD que contenha a ligação NAD, por exemplo, o receptor AV 716. A ligação NAD funciona num modo em "cadeia", as ligações indo duma unidade para a unidade seguinte.

Muitos receptores NAD e componentes AV são fornecidos como padrão com um sistema de controlo remoto NAD que tem botões para a maioria das funções de transporte de fita utilizadas (Tocar, Gravar, Movimento rápido de avanço, Rebobinar, Parar, etc.). Recomenda-se que o NAD 613 seja a primeira unidade na cadeia a seguir à unidade “mestre”, geralmente um receptor. Ligue um cabo vindo da saída da ligação da unidade mestre (por exemplo, o AV 716) ao ligador de ENTRADA da ligação NAD no 613.

4. ENERGIA

Ligue o cabo da rede CA a uma ficha conveniente na parede ou a uma saída prática CA na traseira do seu amplificador ou receptor.

COMANDOS DO PAINEL DIANTEIRO

Os números no texto referem-se aos comandos na figura “COMANDOS DO PAINEL DIANTEIRO”.

1. POWER [ENERGIA]

Prima este botão para ligar a energia para o porta-cassetes. O ecrã acender-se-á e símbolo de Pausa “||” irá cintilar durante três segundos e durante este tempo o porta-cassetes não irá responder a quaisquer comandos. Para desligar a energia, volte a premir e solte. Deve premir sempre STOP (PARAGEM) antes de desligar o porta-cassetes.

2. PHONES [AUSCULTADORES]

Coloque um auscultador de estéreo com um ligador de 6,5 mm nesta posição. Durante a gravação ou reprodução de uma fita o som pode ser fiscalizado através dos auscultadores num nível fixo.

3. OPEN [ABRIR].

Quando este botão é premido, a tampa do compartimento da cassette abre-se para permitir que a fita seja colocada ou retirada. Durante a reprodução ou gravação, a tampa não pode ser aberta.

4. COMPARTIMENTO DA CASSETE

A fita da cassette deve ser colocada neste compartimento. Use o botão “OPEN” (ABRIR) para abrir o compartimento. Com um movimento ligeiro, empurre até ouvir um estalido, indicando que o compartimento pode ser fechado.

5. STOP [PARAGEM]

Este botão irá parar todas as funções de transporte de fitas, como por exemplo reprodução, gravação, movimento rápido para a frente e rebobinagem. Também irá desactivar o modo de Gravação-pausa e Reprodução-pausa.

6. PLAY [REPRODUÇÃO].

Para reproduzir uma fita use este botão. O símbolo de reprodução ► irá acender-se no ecrã.

- Para colocar uma fita de cassette, tire-a do estojo protector. Antes de colocar a cassette, certifique-se se a fita está direita e esticada onde fica exposta no rebordo espesso da cassette.

N.B. Se for necessário, coloque um lápis em qualquer dos cubos e enrole manualmente o carretel da fita até ser tomada qualquer folga.

- Ligue a unidade premindo o interruptor POWER (ENERGIA) (1). Depois do uso, a unidade pode ser desligada premindo novamente esse botão.

- Prima o botão OPEN (ABRIR) (3) para abrir a tampa do compartimento da cassette e colocar a fita com o rebordo exposto - no ponto onde a fita fica exposta - voltado para baixo. A fita da cassette é segura num portador dentro do conjunto da tampa. Consulte a figura 2.

- Empurre a tampa do compartimento da cassette até ficar fechada e ouvir um estalido. Agora a fita está em posição.

- A fita pode ser retirada usando mais uma vez o botão OPEN (ABRIR) (3). Queira notar que o botão não funciona durante o movimento da fita.

- Volte a ajustar o contador da fita (no ecrã) para “0000” premindo o botão RESET (REAJUSTE) (11).

- Seleccione a posição apropriada do DOLBY NR (17) (Dolby NR desligado, Dolby B NR ou Dolby C NR) para condizer com a fita específica que deseja reproduzir. Consulte o capítulo intitulado “Como obter melhor desempenho do seu porta-cassetes NAD 613” na secção “Sistema de redução de ruído Dolby B NR e C” para obter mais informações.

- Prima o botão PLAY (REPRODUÇÃO) (6) para engatar o transporte da fita. O símbolo de reprodução ► no ecrã irá acender-se para indicar o estado da reprodução.

- Se a gravação tem pouco som, gire o comando de REDUÇÃO DA REPRODUÇÃO (15) para cima (da esquerda para a direita) para repor os sons altos rigorosos. Se a gravação soa irregular ou sibilante, gire o comando de Redução da Reprodução para baixo para obter um agudo mais suave. Consulte o capítulo intitulado “Como obter melhor desempenho do seu porta-cassetes NAD 613” na secção “Comando da Redução da Reprodução” para obter mais informações.

- Prima o botão STOP (PARAGEM) (5) se desejar terminar a reprodução.

7. PAUSA.

Se deseja interromper a reprodução ou a gravação durante um momento, use este botão. Premindo PLAY (REPRODUÇÃO), pode regressar à reprodução ou à gravação. No ecrã, o símbolo de Pausa “||” irá para indicar o estado de pausa da fita. Prima Play (Reprodução) mais uma vez para regressar à reprodução ou à gravação.

8. REWIND ◀◀.[REBOBINAGEM]

Com a função ◀◀ pode rebobinar a fita da direita para a esquerda. A rebobinagem rápida pára automaticamente assim que a fita chegue ao princípio ou se o bloco de REPETIÇÃO tiver sido activado e a fita



tiver chegado ao princípio do bloco (consulte também a secção “REPETIÇÃO” (16) neste capítulo). Pode parar manualmente a rebobinagem usando o botão STOP (PARAGEM).

9. FAST FORWARD ►► (MOVIMENTO RÁPIDO DE AVANÇO .1

Com a função ►► pode bobinar a fita para a frente da esquerda para a direita. O movimento rápido de avanço pára automaticamente assim que a fita chegue ao fim. Pode parar o movimento rápido de avanço manualmente usando o botão STOP (PARAGEM).

10. RECORD [GRAVAÇÃO].

Este botão, quando é premido em conjunto com o botão PLAY (REPRODUÇÃO) ou PAUSE (PAUSA), irá activar os circuitos de gravação. O anunciador “Gravação”, quer acompanhado pelo símbolo de “Reprodução” quer pelo símbolo de pausa irá acender-se no ecrã. Premindo PLAY (REPRODUÇÃO) em conjunto com RECORD (GRAVAÇÃO), a gravação começará imediatamente; premindo PAUSE (PAUSA) com RECORD (GRAVAÇÃO), só serão activados os circuitos de gravação. Subsequentemente, premindo PLAY (REPRODUÇÃO), a gravação começará. Agora o anunciador “Gravação” em conjunto com o símbolo de reprodução irá acender-se para indicar o estado de gravação.

- Coloque uma fita conforme descrito na secção “reprodução da fita” acima.

- Regule o selector do DOLBY NR (17) para o tipo desejado de redução de ruído (sem redução de ruído; DESLIGADO, B ou C). Não altere a regulação do Dolby NR enquanto o porta-cassetes está a gravar. Consulte o capítulo intitulado “Como obter o melhor desempenho do seu porta-cassetes NAD 613”, na secção “Sistemas de redução de ruído Dolby B NR e C” para obter informações mais pormenorizadas.

- Prima o botão RECORD (GRAVAÇÃO) (10) em conjunto com o botão PAUSE (PAUSA) (7); o anunciador vermelho e o símbolo de pausa acender-se-ão no ecrã.

- Ajuste o nível de gravação usando o comando rotativo de RECORD LEVEL (NÍVEL DE GRAVAÇÃO) (12) e BALANCE (EQUILÍBRIO) (13).

Consulte o capítulo intitulado “Como obter melhor desempenho do seu porta-cassetes NAD 613”, na secção “Nível de gravação” para obter mais informações.

- Comece a gravação premindo o botão PLAY (REPRODUÇÃO) (6).

Se desejar interromper uma gravação ao mesmo tempo que mantém os circuitos de gravação e de apresentação activos, prima o botão PAUSE (PAUSA) (7). Quando estiver pronto para voltar à gravação prima PLAY (REPRODUÇÃO) (6). Esta técnica é útil para omitir anúncios ou publicidade durante a gravação do rádio ou da televisão.

- Para parar a gravação, prima o botão STOP (PARAGEM) (5).

(Nota: A redução da reprodução não tem efeito durante a gravação).

11. RESET [REAJUSTE].

Prima este botão para reajustar o contador da fita para “0000”. O contador pode ser reajustado em qualquer momento enquanto a fita está a tocar para marcar o lugar específico na fita. O contador é reajustado para 0000 depois da energia também ser desligada.

12. REC LEVEL [NÍVEL DA GRAVAÇÃO].

O nível da gravação em ambos os canais pode ser controlado por este comando. As 2 barras horizontais no ecrã dão-lhe uma indicação exacta do nível durante a gravação. As barras também funcionam durante a reprodução. Estes medidores de nível de gravação estão equipados com um sistema automático de “Manutenção de picos” que irão visualizar o pico máximo durante um segundo, mesmo se este pico tiver durado apenas uma fracção de um segundo para facilitar leitura rigorosa. Consulte o capítulo intitulado “Como obter o melhor desempenho do seu porta-cassetes NAD 613”, na secção “Nível de gravação”, para obter informações mais pormenorizadas.

13. BALANCE [EQUILÍBRIO].

O equilíbrio de gravação entre o canal esquerdo e o canal direito pode ser ajustado usando este comando. Normalmente este comando está regulado para a posição das 12 horas no mostrador do relógio.

Consulte o capítulo intitulado “Como obter o melhor desempenho do seu porta-cassetes NAD 613”, na secção “Nível de gravação”, para obter mais informações.

14. BIAS [DESVIO].

O comando da sintonização do desvio permite-lhe compensar quase todas as diferenças entre uma marca e outra na sensibilidade da fita e na resposta de frequência. Girando o comando da esquerda para a direita irá diminuir os sons altos (mais Desvio), girando o contador da esquerda para a direita aumenta a resposta dos sons altos (menos desvio). Normalmente este comando deve estar na posição “0” (reentrância central). Consulte o capítulo intitulado “Como obter o melhor desempenho do seu porta-cassetes NAD 613”, na secção “Comando de desvio”, para obter mais informações.

15. PLAY TRIM. [REDUÇÃO DA REPRODUÇÃO]

A redução da reprodução é um circuito especial de igualização da reprodução para repor a resposta rigorosa da reprodução em relação a fitas pré-gravadas, antigas e gastas, fitas gravadas noutra porta-cassetes ou fitas que não foram devidamente gravadas (com desvio excessivo ou insuficiente). Este controlo irá permitir-lhe ajustar o conjunto de circuitos do porta-cassetes para assegurar acompanhamento correcto pelo Dolby NR para uma resposta correcta de alta frequência.

Consulte o capítulo “Como obter o melhor desempenho do seu NAD 613”, secção “Comando da Redução da Reprodução”, para obter informações mais pormenorizadas.

16. REPEAT (REPETIÇÃO).

O NAD 613 está equipado com dois modos de repetição; repetir todo o lado de uma cassete ou repetir 5 vezes um bloco pré-seleccionado. O botão REPEAT (REPETIÇÃO) passa através de três regulações diferentes: OFF (DESLIGADO) FULL (COMPLETO) BLOCK (BLOCO) OFF (DESLIGADO)

FULL (COMPLETO), etc. (indicado no ecrã). Selecciona FULL (COMPLETO) (quer a partir do ponto onde parou quer durante a reprodução) para repetir toda a cassete.

Para repetir um bloco pré-seleccionado:

- Selecciona BLOCK (BLOCO) premindo duas vezes o botão REPEAT (REPETIÇÃO). BLOCK acende-se no ecrã.

- Prima o botão PLAY (REPRODUÇÃO) (6) para começar a reprodução. BLOCK agora cintila no ecrã.

- Prima o botão REPRODUÇÃO mais uma vez para marcar o princípio do bloco. Pode premir outra vez PLAY (REPRODUÇÃO) para mudar o princípio do bloco. BLOCK continua a cintilar no ecrã.

. Quando tiver chegado ao fim do bloco que deseja repetir, prima o botão REBOBINAGEM (REWIND) ◀ (8). O indicador do bloco deixa de cintilar e permanece aceso até o bloco pré-seleccionado ter sido repetido cinco vezes ou ter sido premido o botão STOP (PARAGEM).

17. DOLBY NR.

Os sistemas de Redução de Ruído Dolby NR foram concebidos para reduzir o sibilar da fita. O ecrã indica se o Dolby NR foi seleccionado e em que tipo (B ou C). O botão permite-lhe passar rapidamente através de regulações diferentes: OFF (DESLIGADO) B C OFF (DESLIGADO) B, etc. (indicado no ecrã). Selecciona o mesmo tipo de DOLBY NR com o qual a fita foi originalmente gravada para a reprodução. Selecciona a posição de Dolby NR em que deseja fazer gravação antes de iniciar uma gravação. Consulte o capítulo intitulado “Como obter o melhor desempenho do seu porta-cassetes NAD 613”, secção “Sistemas B e C de Redução de Ruído Dolby NR”, para obter mais pormenores. O Dolby NR irá funcionar por ausência passando para OFF (DESLIGADO) depois do porta-cassetes ter sido desligado.

18. MPX FILTER [FILTRO MPX].

Durante uma gravação fora do ar com certos sintonizadores, um sinal audível de alta frequência pode provocar o uso da pista errada do circuito de redução de ruído Dolby NR, o que resulta num som amortecido quando a gravação é reproduzida. O filtro MPX bloqueia estas altas frequências (superiores a 15kHz).

Prima o botão MPX se estiver a sofrer estes problemas; o FILTRO MPX irá acender-se no ecrã. Se

não estiver a fazer uma gravação a partir do rádio não necessita de seleccionar o filtro MPX.

19. VISUALIZAÇÃO.

São visualizadas várias funções do porta-cassetes, como gravação, reprodução, pausa, Dolby NR DESLIGADO/B/C/, repetição DESLIGADA/COMPLETA/ BLOCO, Nível de gravação e Contador da fita.

COMO OBTER O MELHOR DESEMPENHO DO SEU PORTA-CASSETES NAD 613.

Os números no texto referem-se aos comandos na figura “COMANDOS DO PAINEL DIANTEIRO” a não ser que seja indicado diferentemente.

SISTEMAS DE REDUÇÃO DE RUÍDO DOLBY NR B e C.

O porta-cassetes está equipado com dois tipos de redução de ruído Dolby NR. Dolby C NR proporciona a maior supressão do sibilar da fita, importante quando se está a gravar realizações musicais ao “vivo” ou gravações com uma vasta gama dinâmica (por exemplo, Discos Compactos digitais).

O Dolby B NR proporciona a melhor compatibilidade com gravadores de fita mais antigos e gravadores estereofónicos de fita, portáteis e para automóvel. Dolby B NR também deve ser usado durante a reprodução da maioria das cassetes de música pré-gravadas.

Cada sistema Dolby NR está activo tanto durante a gravação como durante a reprodução. Assim, se uma fita é gravada com Dolby C NR, deve ser reproduzida com Dolby C NR para serem obtidas as vantagens. Semelhantemente, se Dolby B NR foi usado durante a gravação, nesse caso deve ser usado também na reprodução.

Para evitar confusão, recomenda-se que coloque um rótulo em cada cassete B ou C quando esta é gravada, para indicar o tipo de redução de ruído utilizado.

NOTA: Depois da energia ser desligada, os circuitos Dolby NR serão desligados (off). Certifique-se que selecciona a regulação Dolby NR apropriada novamente quando a voltar a ligar o porta-cassetes.

A sensibilidade da fita está constantemente a mudar à medida que são feitas gravações devido ao efeito de polarização dos sinais de áudio de alta frequência. A extensão da área superior da unidade Dolby HX Pro é um sistema que compensa estas flutuações indesejáveis durante a gravação. Não funciona durante a reprodução, assim as cassetes gravadas com Dolby HX Pro podem ser reproduzidas em porta-cassetes que não estejam equipados com o sistema.

NOTA: O Dolby HX Pro funciona independentemente do Dolby e de C NR e apenas durante a gravação.

COMANDO DE DESVIO.

A correspondência entre o desvio do gravador para a fita é especialmente importante quando é usada a redução do ruído Dolby NR, porque qualquer desvio em relação à resposta plana de alta frequência será amplificado pelo circuito Dolby NR durante a reprodução, tornando o som excessivamente vivo ou amortecido. O comando de "Desvio" (14) permite-lhe compensar as diferenças entre uma marca de fita e outra. O método para sintonização rigorosa do desvio é o seguinte:

1. Coloque uma fita em branco e mova rapidamente para a frente durante alguns segundos para passar para além da fita de entrada em branco no princípio.
2. Regule o comando "Redução da reprodução" (15) para "0" (a posição da reentrância central) e prima o botão "Filtro Multiplex" (18) para activar o filtro (indicado no ecrã).
3. Prima "Dolby NR" (17) para seleccionar "C".
4. Regule o comando de "Desvio" (14) para "0" (a posição da reentrância central).
5. Prima o botão "Reset" (Reajuste) (11) e grave uma amostra curta de música ao nível máximo de cerca de 8dB.
6. Volte a bobinar a fita aproximadamente até 0000.
7. Reproduza a amostra de música e avalie o equilíbrio de tom em comparação com o original.
8. Se o som da gravação parecer mais amortecido do que o original, gire o comando de Desvio para BAIXO (girando o contador da direita para a esquerda) para ampliar os sons altos (menos desvio). Se as altas frequências forem exageradas na gravação, gire o comando para CIMA (da esquerda para a direita) para reduzir a resposta dos sons mais agudos (aumentando o desvio).
9. Para ensaiar a nova regulação de desvio, faça outra amostra curta de gravação e verifique os resultados. Volte a sintonizar rigorosamente se for necessário.

NOTAS

O comando de Desvio afecta as fitas apenas enquanto está a ser feita uma gravação. Não pode ser usado para melhorar a qualidade de fitas depois destas terem sido gravadas.

Recomendamos que use uniformemente a mesma marca, tipo e qualidade de fitas para obter o desempenho melhor e mais uniforme do seu gravador. Regule o comando de Desvio para corresponder a essa fita específica.

NÍVEL DE GRAVAÇÃO.

As duas barras horizontais segmentadas apresentam o nível máximo do sinal da fonte em cada canal. Ajuste o comando do nível de gravação (9; anel interior) descendo (da direita para a esquerda) ou subindo (da esquerda para a direita). Há várias fórmulas de fitas à venda - normal (I), CrO2 (II) e Metal (IV) - cada uma delas com características específicas, como por exemplo nível de saturação. O NAD 613 detecta automaticamente qual é o tipo de fita

que está a ser usado e adapta as respectivas regulações em relação a este tipo de fita. Um nível de gravação baixo demais resultará num sibilar excessivo da fita, enquanto que um nível de gravação alto demais resultará em distorção. O método padrão é regular o nível de gravação para poder aceitar a parte mais sonora da música e depois não tocar mais nos comandos. Regule o comando por forma que os sons sustentados, por exemplo, uma voz a cantar ou os sons completos de uma orquestra alcançam os segmentos vermelhos (até 4dB). Com música que atravesse uma vasta gama de níveis de som, tal significa que as partes menos sonoras da música serão gravadas a um nível de - 20dB ou inferior (sem segmentos iluminados). Isto é normal.

O comando de EQUILÍBRIO (BALANCE) (13) permitir-lhe-á alterar o equilíbrio esquerdo/direito de uma gravação. Quando o comando é girado completamente da direita para a esquerda, só será gravado o canal esquerdo enquanto que se o comando for girado completamente da esquerda para a direita só será gravado o canal direito. Para uso normal, o comando está regulado na reentrância no centro da respectiva gama, gravando cada canal a nível iguais.

Se desejar limpar uma fita, sem fazer uma nova gravação, siga o método descrito acima, mas gire o comando de NÍVEL DE GRAVAÇÃO (12) completamente da direita para a esquerda. Não serão iluminados quaisquer segmentos de nível.

PREVENÇÃO DE ELIMINAÇÃO ACIDENTAL DA GRAVAÇÃO.

Enquanto é feita uma nova gravação, quaisquer gravações anteriores que já se encontrem na fita serão automaticamente eliminadas. Se deseja proteger uma fita contra eliminação ou gravação accidental, pode tirar as linguetas de protecção da fita. Por esta forma, a função da gravação não poderá ser activada. Queira notar que a maioria das fitas pré-gravadas comerciais à venda já têm as linguetas retiradas. Usando fita adesiva sobre os orifícios permitirá activar os circuitos para nova gravação.

As fitas CrO2 (tipo II e de metal (tipo IV) têm orifícios adicionais na caixa da cassete, permitindo que o porta-cassetes "reconheça" os vários tipos de fitas. Certifique-se que estes orifícios não são cobertos ao cobrir os outros! Consulte a figura 3.

COMANDO DA REDUÇÃO DA REPRODUÇÃO.

Coloque o comando de REDUÇÃO DE REPRODUÇÃO em "0" (reentrância central) para reprodução normal.

Erros na resposta de alta frequência verificam-se muitas vezes nas gravações de cassetes, especialmente em fitas que foram gravadas numa máquina e estão a ser reproduzidas noutra. Estes erros são derivados da saturação da fita - especialmente fitas gravadas em porta-cassetes sem HX Pro -, derivado ao desvio da que não corresponde ao da fita quando a gravação foi feita, devido a diferenças na igualização e no azimute das cabeças entre gravadores.

Estes erros causam desvios de pista dos circuitos

Dolby NR, que por sua vez provocam erros que são “ampliados” pelos circuitos, resultando frequentemente em sons amortecidos.

A Redução da Reprodução é um circuito especial de igualização da reprodução a alta frequência, utilizado para repor a resposta rigorosa da reprodução antes de se verificar a decodificação pelo Dolby NR. A igualização normal da reprodução para fitas gravadas correctamente é proporcionada quando o comando de Redução da Reprodução está ajustado na reentrância no centro da respectiva gama.

Ao reproduzir fitas, coloque o selector DOLBY NR por forma a corresponder à fita gravada. Se a gravação tem um som amortecido, aumente a Redução da Reprodução (da esquerda para a direita) para repor os sons altos rigorosos. Se a gravação soa hesitante ou sibilante, diminua a Redução da Reprodução para obter um som agudo mais suave.

NOTA: O comando de Redução da Reprodução só afecta a reprodução e não funciona enquanto está a ser feita uma gravação.

MANUTENÇÃO

Os rolamentos e outras peças móveis foram tratados na fábrica com lubrificantes especiais e não necessitam de quaisquer cuidados especiais.

A sujidade, poeira e óxido da fita podem potencialmente danificar as cabeças e as guias da fita, para além de degradarem a qualidade do som tanto na reprodução como na gravação. Portanto, peças em contacto directo com a fita necessitam de ser limpas regularmente.

NOTA: Certifique-se que o receptor ou amplificador está desligado antes de limpar ou desmagnetizar as cabeças.

LIMPEZA

Abra a tampa do compartimento da cassete. No fundo do compartimento encontrará as cabeças e as guias da fita (cabrestante e rolo de recolha). Consulte a figura 3.

Limpe as cabeças (A e B) e o cabrestante (C) usando pedaços de algodão em rama humedecidos com álcool puro ou um produto exclusivo para limpeza de gravadores de fita.

Limpe o rolo de recolha (D) usando exclusivamente água destilada. Nunca use álcool no rolo visto que irá fazer secar a borracha. Alternativamente, pode usar uma cassete especial de limpeza. Certifique-se que usa uma cassete que limpe todas as peças indicadas na figura 3.

DESMAGNETIZAÇÃO

Peças em contacto directo com a fita tornar-se-ão ligeiramente magnéticas com o decorrer do tempo. Este magnetismo irá aumentar o zumbido, tanto na reprodução como na gravação. Portanto, é aconselhável desmagnetizar as cabeças, rolo de recolha e outras peças metálicas da guia da fita de tempos em tempos, usando um desmagnetizador ou uma cassete de desmagnetização. Siga as instruções do desmagnetizador ou da cassete de desmagnetização.

ADVERTÊNCIA

Guarde os desmagnetizadores longe das suas fitas, porque podem acidentalmente eliminar as gravações.

O seu distribuidor poderá aconselhá-lo e fornecer-lhe os acessórios apropriados tanto para limpeza como para desmagnetização.

“Dolby”, “Dolby NR”, “Dolby HX Pro” e o símbolo de um D-duplo são marcas comerciais registadas da Dolby NR Licensing Corporation.

HX Pro foi concebido por Band & Olufsen.

O sistema de redução do ruído Dolby e o sistema de extensão da área superior HX Pro são fabricados sob licença da Dolby Laboratories Licensing Corporation.

A PLAY TRIM (REDUÇÃO DA REPRODUÇÃO) foi desenvolvida pela NAD e Dolby Laboratories Inc.

Dolby NR é uma marca comercial registada da Dolby NR Laboratories Ltd.

SPECIFICATION - NAD 613 CASSETTE DECK

Speed Accuracy	± 1%
Wow and Flutter	<0.07% JIS wtd. RMS <0.09% DIN wtd. peak
Frequency response (Dolby NR off, Record/Playback)	30Hz - 18kHz ±3dB
MPX filter response	Flat within 1dB to 15kHz
Harmonic distortion	Varies with recording level; typically <0.3% at -10dB
THD @ 0dB (Normal tape)	<1.0%
THD @ 0dB (CrO ₂ , Metal tape)	<1.5%
Signal-to-Noise ratio	58dB (Dolby NR off)
(Ref. 3% THD at 333Hz [biased tape])	68dB (Dolby B NR)
CCIR/ARM weighting	78dB (Dolby C NR)
Channel separation	40dB @ 1kHz 35dB broadband
Erase	>70dB @ 1kHz
Input sensitivity / impedance	80mV/50k
Maximum input level	25V
Output level @ 0dB	500mV
Output impedance	600
PHYSICAL SPECIFICATIONS	
Dimensions (W x H x D)	435 x 125 x 311mm
Net weight	5.0kg
Shipping weight	6.6kg

NAD reserves the right to change specifications without notice

PLAY TRIM was developed by NAD and Dolby Laboratories Inc.

HX Pro originated by Bang and Olufsen.

Dolby Noise reduction and HX Pro headroom extension manufactured under license from Dolby Laboratories Licensing Corporation.

“Dolby” “Dolby NR”, the double-D symbol and “HX Pro” are registered trademarks of the Dolby Licensing Corporation.

Dolby NR is a registered trademark of Dolby Laboratories Ltd.

NAD ELECTRONICS LTD

LONDON

© 1995. 613 I.M. PRINTED IN MALAYSIA.