

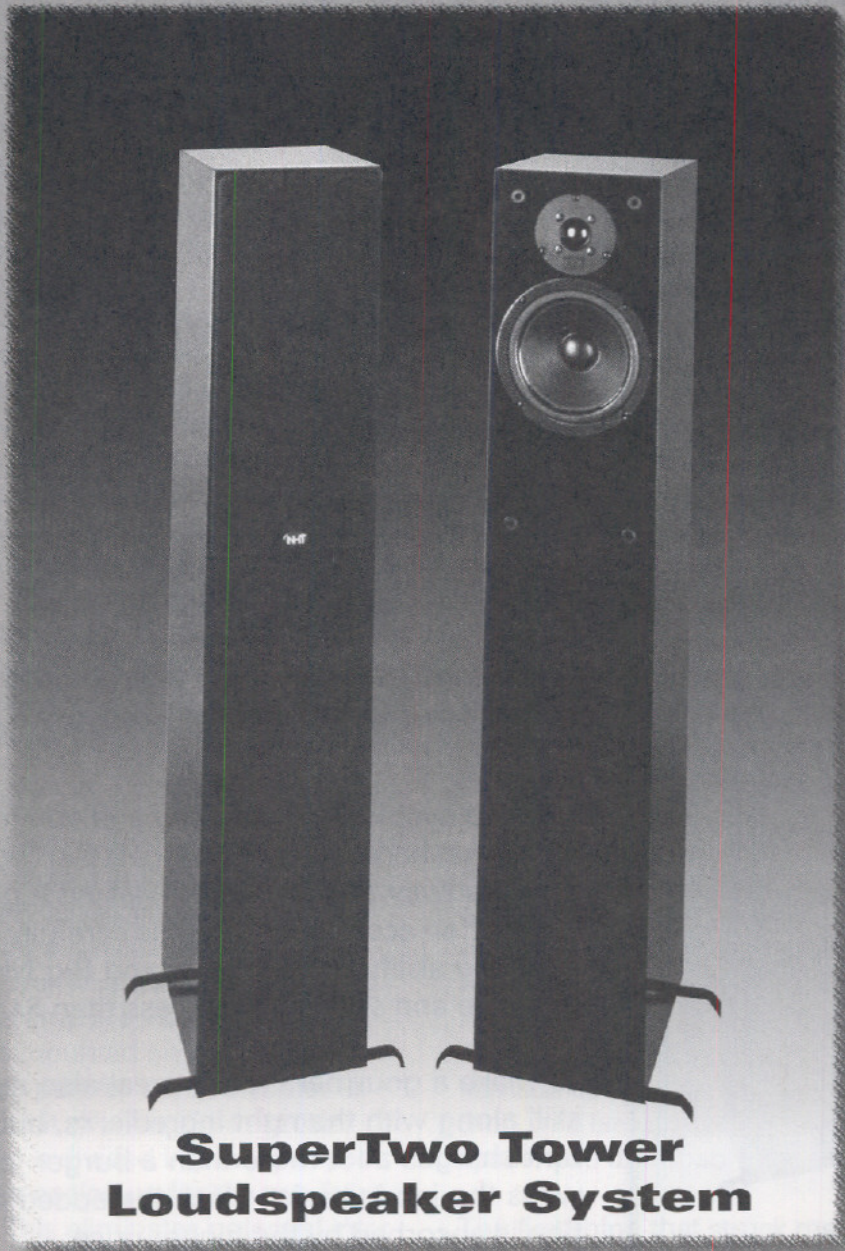


SuperTwo

Tower Loudspeaker

OWNER'S MANUAL

Now Hear This
535 Getty Court
Benicia, CA 94510
800-NHT-9993



**SuperTwo Tower
Loudspeaker System**

Product Review By:

Listener

Now Hear This • 2950 Lake Emma Road • Lake Mary, FL 32746
800-NHT-9993 • www.nhthifi.com

Thank you for your purchase of the NHT SuperTwo loudspeaker. Please take a few minutes to read through this Owner's Manual prior to installing your new speakers. The information provided will help you to obtain maximum performance from your audio system. If you have questions or need assistance at any time during the installation or operation of your new speakers, please call your NHT Dealer or our Toll-Free Customer Hotline at:

1-800-NHT-9993

Please retain the SuperTwo's packaging to protect the speakers in the event that you move or transport them.

SuperTwo Specifications

- **System Type:** 3-way, vented design
- **Driver Complement:** 6.5" long-throw subwoofer, 6.5" midwoofer, 1" fluid-cooled soft dome tweeter, upper drivers video shielded
- **Crossover:** 120Hz 12dB/octave, 2.2KHz 12dB/octave high-pass and 6dB/octave low-pass
- **Response:** 35Hz - 25KHz, +/- 3dB
- **Sensitivity:** 87db (2.83V at 1M)
- **Impedance:** 8 ohms nominal, 3.8 ohms minimum
- **Recommended Amplifier Power:** 25W/ch minimum, 175W/ch maximum
- **Inputs:** 5-way binding posts
- **Weight:** 39 lbs. each
- **Dimensions:** 39"H x 7.25"W x 10"D
- **Finish:** High-gloss black laminate

Specifications are subject to change without notice, in accordance with our policy of continuously upgrading the performance of our products.

■ Design

NHT loudspeakers are designed to deliver refined, musical sound from attractive and affordable packages. Our efforts are guided by the study of human hearing and are optimized for real-world use. Every NHT speaker undergoes rigorous testing and quality control at the factory to ensure you years of listening pleasure.

Following in the footsteps of NHT's successful SuperZero and SuperOne loudspeakers, the SuperTwo is our most affordable tower speaker, offering an unprecedented level of sonic refinement at its price. Employing the midrange and tweeter from the critically acclaimed SuperOne, the SuperTwo adds a downward-firing subwoofer for truly full-range performance. This remarkable 6.5" woofer is capable of 14mm peak-to-peak excursion and delivers solid bass response to 35Hz. Designed for discriminating audio/video enthusiasts, the SuperTwo is ideal for two-channel audiophile systems and five-channel home theater systems, where it is timbrally matched to the SuperOne and SuperZero. And its small footprint makes it a sensible choice when space is a prime consideration.

■ Placement

The SuperTwo is a floorstanding loudspeaker that requires no stands or mounting hardware other than the included SpikeKit. The SuperTwo is designed for indoor use only.

The SuperTwos should be placed as symmetrically as possible and slightly toed-in. The drivers should face the listening area without obstruction from furniture. The tweeters should be at equal height and at approximately ear level to ensure accurate response. If possible, arrange the speakers so that the distance between the listener and the center of the speaker plane is 1.5 times the distance between the two speakers (Fig.1). This configuration puts the listener in the center of the stereo image. For best results, the SuperTwos are best situated at least 8" from the front wall (due to the rear vent) and at least two feet from the side walls. For smoothest response, the distance from the side walls should be different than the distance from the rear wall.

When using the SuperTwos in a five-channel home theater configuration, it is ideal for all five speakers to be placed equidistant from the listening position. The NHT SuperOne is the appropriate timbre-matched center and surround speaker to use in conjunction with the SuperTwo. The upper portion of the SuperTwo features magnetically shielded drivers, allowing the speakers to be placed in close proximity to a television without causing picture discoloration.

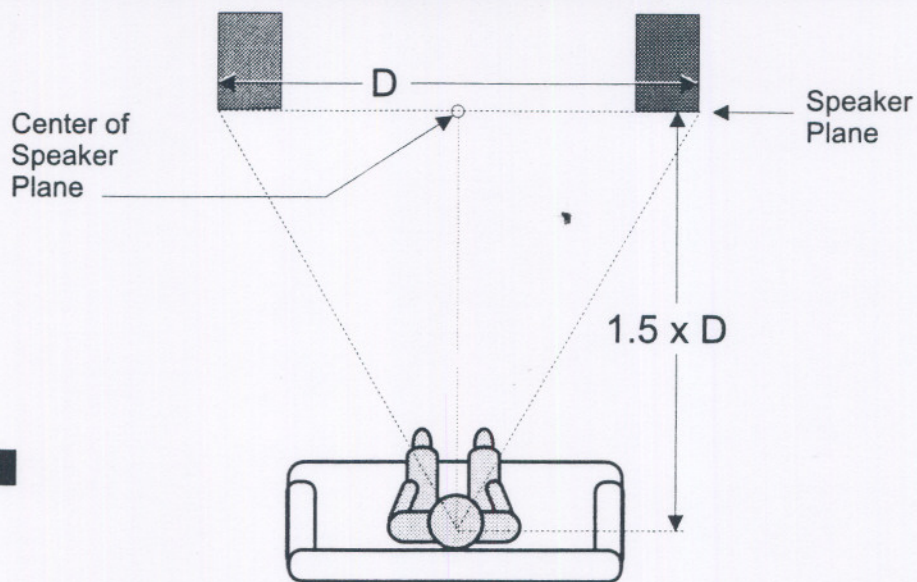


fig. 1

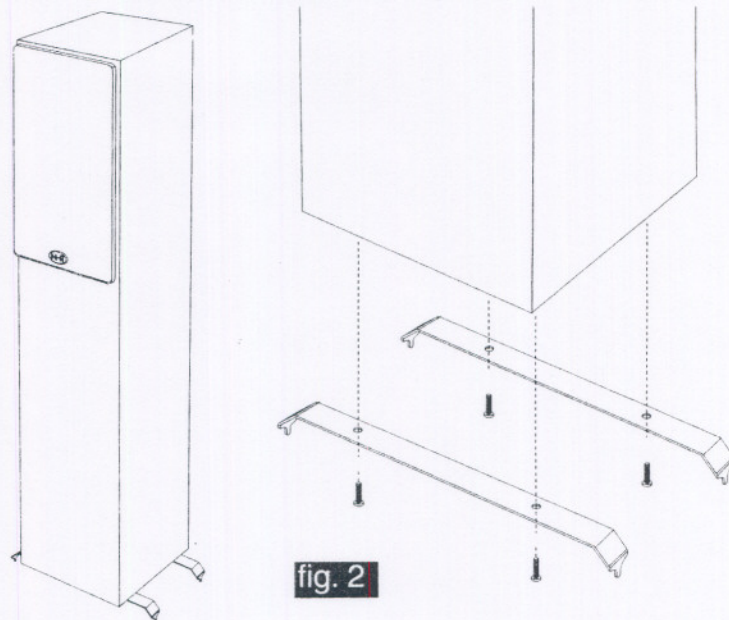
Experimentation is the key to finding the best arrangement in your particular listening environment. Be patient, have fun, and remember that small changes in speaker position can sometimes have a significant effect on the sound. For example, moving the speakers nearer to a room boundary (walls, corners) will tend to increase their bass output, but may result in "boomy" or "muddy" sound. Conversely, situating the speakers farther away from room boundaries will tend to decrease their bass output, but may result in greater articulation and better imaging.

In addition, room furnishings play an important role in absorbing and reflecting soundwaves. Midrange and high frequencies in particular will be absorbed by soft furnishings such as sofas, carpets and curtains. A large number of these soft furnishings will dull the sound, while a "live" room with few furnishings will brighten the sound. If you are willing to spend some time fine-tuning the performance of your system, you will enjoy the benefits for years to come.

■ SpikeKit Installation

A SpikeKit is included with the SuperTwo to provide optimum stability and to firmly couple the speakers to the floor for improved bass performance. Each SuperTwo loudspeaker utilizes its own SpikeKit, consisting of two stabilizer bars. **Caution: the SuperTwo must be used with the SpikeKit in order to avoid damage to the downward-firing subwoofer on the bottom of the cabinet.**

To begin assembly, unpack the SpikeKit and inspect all the parts. The SpikeKit includes: (2) stabilizer bars, (4) Phillips head machine screws and (4) rubber caps. Carefully turn the speaker upside down or on its back and attach the stabilizer bars with the Phillips head machine screws, using a #2 Phillips screwdriver (fig. 2). **Note: When installing the bars onto the bottom of the speaker, use your fingers to start all the machine screws in their holes before tightening them down. This will prevent crossthreading.**



If you have hardwood or tile floors, place the rubber caps on the ends of the stabilizer bars to anchor the speaker to the floor and protect the surface. To install the rubber caps, simply slide them over the bar points fully.

■ Connections

Before connecting speakers to your system, it is important that you turn off the power to your amplifier / receiver to avoid damage to the equipment.

The NHT SuperTwo is compatible with virtually all quality amplifiers. Proper wiring of the speakers is essential to good sound. At a minimum, 14AWG wire is recommended for runs of 10 feet or less, with heavier special purpose speaker wire used for longer runs. For specialty wire considerations, consult your local authorized NHT retailer. For best results, use equal length runs of wire for the left and right speakers. Prepare your speaker wire by stripping 1/4" to 3/8" of insulation from the ends and twisting the exposed wire strands tightly. The five-way binding posts on the back of the speaker will

accept raw wire, banana plugs or spade plugs. Tighten the binding posts by hand, as pliers can strip or break them.

Be sure to wire both the left and right speakers "in-phase." That is, the Positive (red) terminal on the amplifier output must be connected to the corresponding Positive (red) terminal on the speaker. Likewise with the Negative (black) terminals. All speaker wires have some sort of marking along one or both conductors to help you make the correct connections. Incorrect speaker phase is indicated by weak bass and the lack of a well-defined stereo image.

To minimize noise pickup, segregate cables by function. Do not run low level signal cables parallel to power cables, speaker cables, or digital cables. Also, do not run speaker cables or digital cables parallel to power cords or parallel to each other. If different types of cables are placed near each other at some place in your system, separate them by the maximum practical distance and cross them at right angles where they meet. Do not twist or tie AC power cords with speaker cables.

■ Operation

The SuperTwo was designed to handle a wide range of listening levels, but every speaker has limits. It is important to use common sense and listen for signs of possible distress from the speakers. Underpowered amplifiers are most often the cause of speaker damage. For example, a 60-watt amplifier runs out of power when called upon to produce more than 60 watts, and the resulting distortion can damage the speaker. If you tend to listen at high volume levels, more powerful amplifiers are preferable because they are less likely to run out of power.

Noticeable distortion or harsh breakup is an indication that either your amplifier or your speakers are running beyond their capacity, and the volume should be decreased. If you can feel any heat emanating from the woofer or tweeter, reduce the level immediately. Speaker damage most often occurs from sustained high volume levels, not from transient sounds or brief musical peaks. Excessive boosting of bass, treble or equalizer controls can worsen the problem, and is not recommended.

■ Maintenance

Your speakers require minimal maintenance under normal use. The cabinet may be cleaned using a damp cloth or a mild, non-abrasive cleaner. To clean the grille, first remove it from the speaker, then brush lightly with a soft brush or use a vacuum on its lowest setting. Do not expose the speaker to direct sunlight, high temperatures, or moisture. Do not attempt to clean the actual drivers.

Limited Warranty Valid Only in the U.S.A.

Warranty Period

For the period of 5 years for parts and 5 years for labor from date of original purchase (the warranty period) from an authorized NHT dealer, Now Hear This (NHT) warrants that if our product fails to function properly under normal use due to a manufacturing defect when installed and operated according to the owner's manual instructions enclosed with the unit, it will be repaired or replaced with a unit of comparable value at the option of NHT without charge to you for parts or actual repair work. Parts supplied under this warranty may be new or rebuilt at the option of NHT.

What's Not Covered

This warranty does not cover any product which is used in any trade or business, or in an industrial or commercial application.

This warranty does not cover the cabinet or any appearance item, or any damage caused to the product resulting from: alterations, modifications not authorized in writing by NHT, accident, misuse or abuse, damage due to lightning or power surges, or being subjected to power in excess of the speaker's published power rating.

This warranty does not cover the cost of parts which would otherwise be provided without charge under this warranty, obtained from any source other than an authorized NHT service location. This warranty does not cover defects or damage caused by the use of unauthorized parts or labor or from improper maintenance.

Altered, defaced or removed serial numbers void this warranty.

Your Rights

The liability of NHT will be limited to the purchase price of the product, and NHT will not be liable for incidental or consequential damages. NHT limits its obligations under any implied warranties under state laws to a period not exceeding the warranty period. Some states do not allow limitations on how long an implied warranty lasts, and some states do not allow the exclusion or limitation of incidental or consequential damages. The above limitations or exclusions may not apply to you. This warranty gives you specific legal rights, and you may have other rights which vary from state to state.

To Obtain Service

NHT has appointed a number of authorized service companies throughout the USA should your product ever require service. To receive warranty service, you will need to present your sales receipt showing place and date of original owner's transaction.

To find the name and address of the nearest authorized NHT service location, call or write: **Customer Service Department, Now Hear This, 535 Getty Court, Benicia, CA 94510. 800-NHT-9993.**

Please do not return product to this address. It is not a service location.

Keep this warranty with your sales receipt. Record date and place of purchase for future reference.