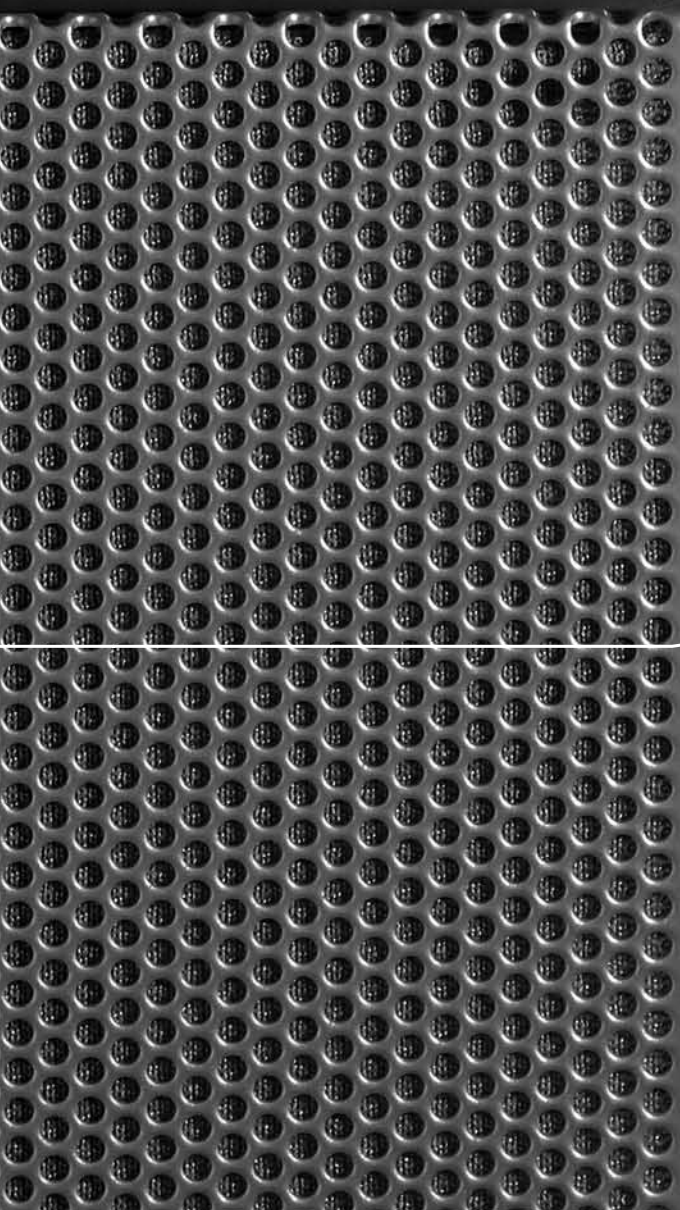


PIEGA TP Series



PIEGA
SWITZERLAND

Elegance



PIEGA TP-Series

The column loudspeaker

TP 7

An attractive column loudspeaker extravagantly equipped with state-of-the-art technology. Four new bass chassis with MDS® technology (Maximum Displacement Suspension) are used in the low frequency range. The midrange sound is accurately reproduced by the new MDS® midrange speakers and the fine silky quality of the LDR ribbon tweeter offers an outstanding treble range. With all these technical treasures hi-fi experts speak of «singular frequency linearity» and «resonance-free cumulative decay spectrum». For music lovers, this means that their favorite music is reproduced faithfully even at very low volume.

The medium-sized column loudspeaker

TP 5

Elegant, slimline designs that are ideal where sound requirements are greater than the space available. With two new 13 cm bass chassis with MDS® for a full-bodied bass performance. These are combined with the stunning musicality and dynamics of the PIEGA LDR ribbon tweeter for a clean and unerring musical integrity

The compact loudspeaker

TP 3

The small yet elegant compact loudspeaker stands out with many benefits of the larger models. With its newly designed bass chassis with MDS® technology, this loudspeaker can offer an impressively exciting musical experience even in medium-sized rooms. The legendary LDR ribbon tweeter once more demonstrates its superiority in the entire music spectrum.



TP 7



TP 5

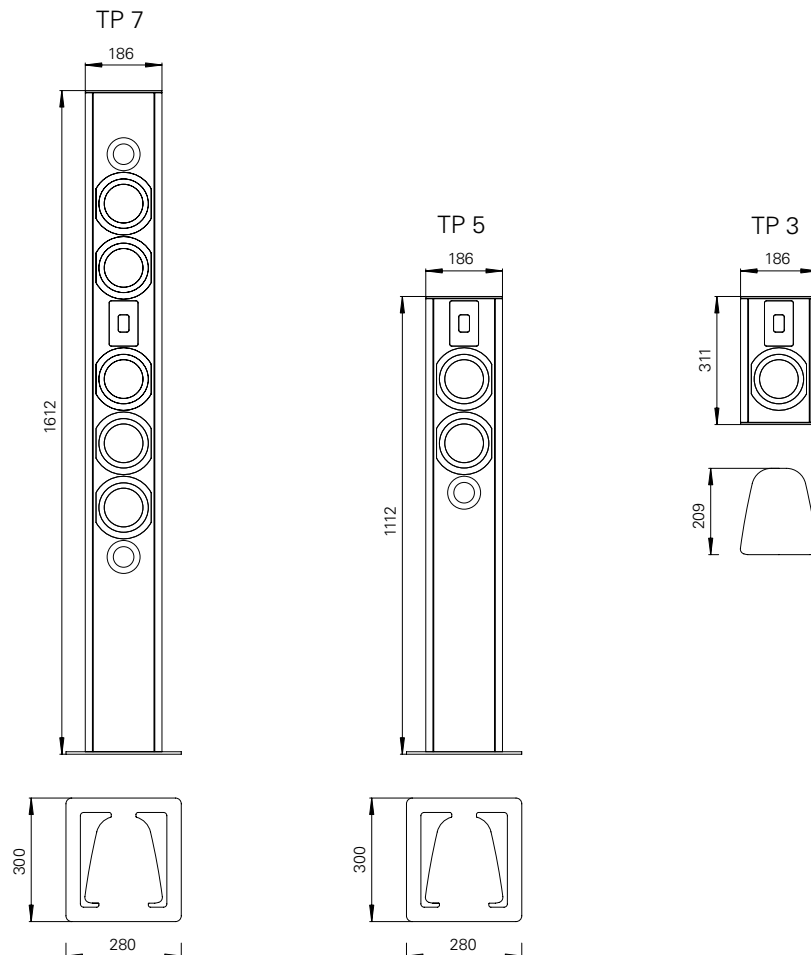


TP 3



Technical Data

Model	TP 7	TP 5	TP 3
Design principle	3-way column speaker	2 1/2-way column speaker	2-way compact speaker
Recommended amplifier output	20 – 250 Watt	20 – 200 Watt	20 – 150 Watt
Sensitivity	91 db/W/m	91 db/W/m	89 db/W/m
Impedance	4 Ohm	4 Ohm	4 Ohm
Frequency range	30 Hz – 50 kHz +/- 2 dB	35 Hz – 50 kHz +/- 2 dB	40 Hz – 50 kHz +/- 2 dB
Equipment	4 13 cm MDS® bass 1 13 cm MDS® midrange 1 LDR tweeter	2 13 cm MDS® bass 1 LDR tweeter	1 13 cm MDS® bass 1 LDR tweeter
Connection	WBT	WBT	WBT
Dimensions (HxWxD)	161 x 19 x 21 cm	111 x 19 x 21 cm	31 x 19 x 21 cm
Weight	31 kg	21.5 kg	7 kg
Finish	Aluminium cabinet, Grill metal black, Grill silver optional	Aluminium cabinet, Grill metal black, Grill silver optional	Aluminium cabinet, Grill metal black, Grill silver optional



Service

PIEGA offers first-class service and six years warranty on all loudspeakers, as well as three years on the electronics.

PIEGA SA
Bahnhofstrasse 29
CH-8810 Horgen
Telephone +41 44 725 90 42
Fax +41 44 725 91 92
mail@piega.ch
www.piega.ch

Information for Exports

PIEGA SA
Bahnhofstrasse 29
CH-8810 Horgen
Telephone +41 44 725 90 02
Fax +41 44 725 91 92
mail@piega.ch
www.piega.ch

Published Autumn 2006
Subject to modifications, in particular
technical modifications and errors

